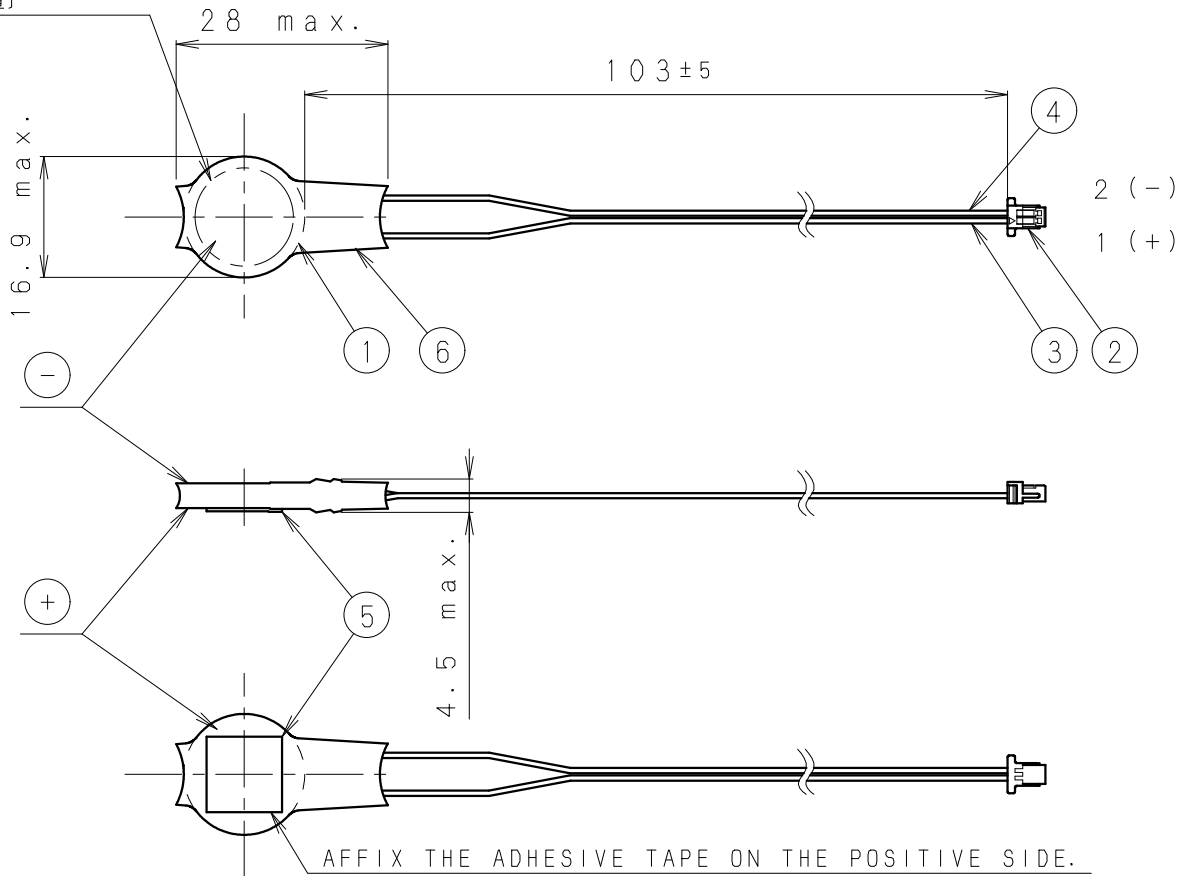


MARKING POSITION
[マーク表示位置]




AFFIX THE ADHESIVE TAPE ON THE POSITIVE SIDE.
[正極面側に両面テープを貼付]

NO	CONTENTS [内容]	
①	BATTERY [素電池]	CR1632
②	CONNECTOR	JST
	HOUSING	SHR-02V-S-B
	TERMINAL	SSH-003T-P0. 2-H
③	(+) LEAD WIRE	UL 3302 AWG30 RED
④	(-) LEAD WIRE	UL 3302 AWG30 BLACK
⑤	ADHESIVE TAPE	3M Y-4920 □10
⑥	OUTER TUBE [外装チューブ]	HEAT SHRINKABLE TUBE:YELLOW

NOTE [注記]

- NOMINAL VOLTAGE: 3V [公称電圧: 3V]
- (): REFERENCE DIMENSION AND ANGLE
[() 寸法、角度は参考値]
- OUTER TUBE DEFORMS
OVER AMBIENT TEMPERATURE 40°C.
[周囲温度が40°Cを過ぎると外装チューブは変形します]

PRODUCT NO.	CR-1632/S5GK	SCALE
		1:1
DRAWING NO.	MM1S3SB3	 UNIT: mm