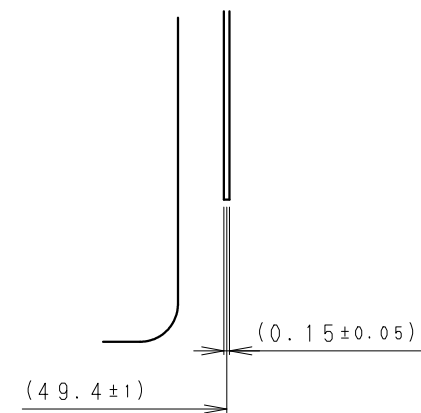


DETAIL A
(5 : 1)



DETAIL B
(5 : 1)

NOTE (注記)

1. TAB PULLING STRENGTH OVER 9.8N
[端子溶接強度: 9.8N以上]
2. TAB MATERIAL: NICKEL OR STAINLESS STEEL WITH NICKEL PLATING
[端子材料: ニッケルもしくはNiめっきステンレス鋼板]
3. (): REFERENCE DIMENSION AND ANGLE
[() 寸法、角度は参考値]

PRODUCT NO.	BR-CT2SP	SCALE	2 : 1
DRAWING NO.	SUT2	UNIT: mm	