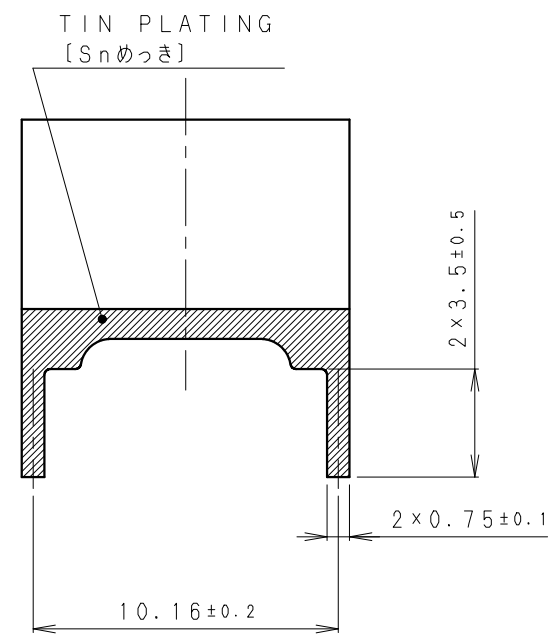
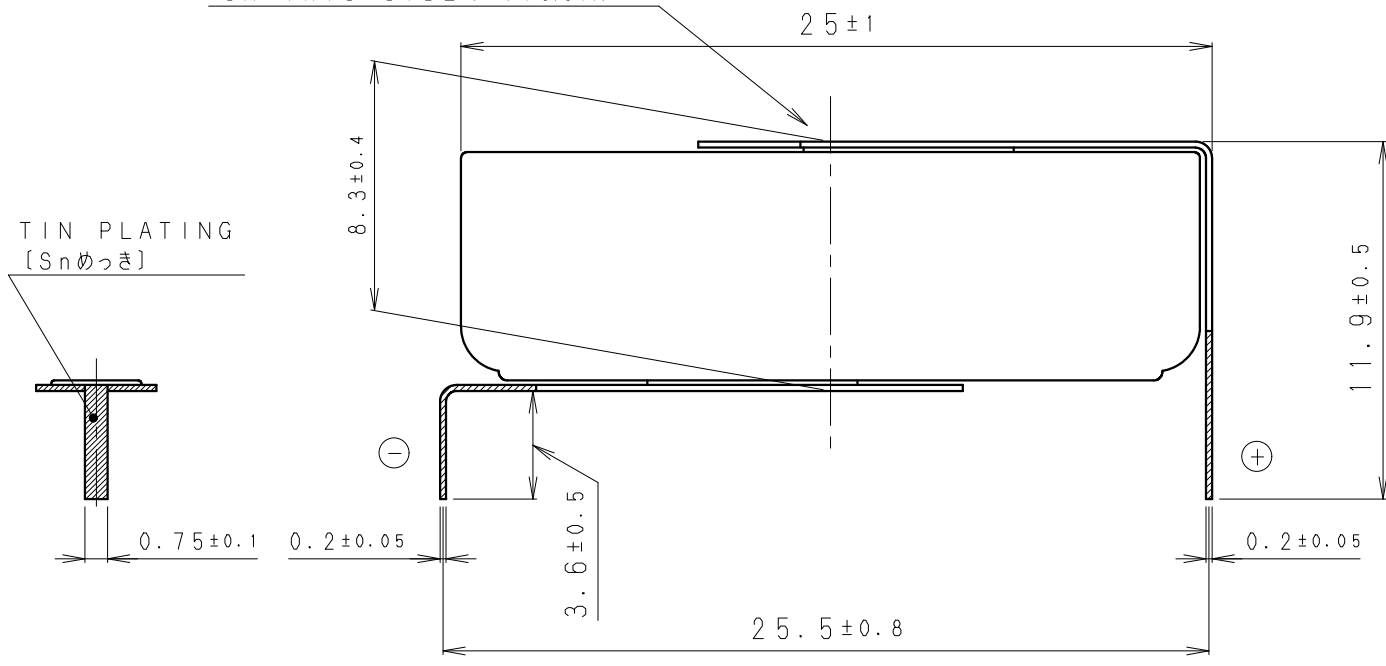


DATE CODE INDICATION  
ON THIS SIDE [ロット表示面]



- NOTE [注記]
1. NOMINAL VOLTAGE: 3V [公称電圧: 3V]
  2. TAB WELDING STRENGTH OVER 19.6N [端子溶接強度: 19.6N以上]
  3. TAB MATERIAL: STAINLESS STEEL WITH TIN PLATING [端子材料: 基材 ステンレス/表面 部分Snめっき]
  4. ( ): REFERENCE DIMENSION AND ANGLE [ ( ) 寸法、角度は参考値]

PRODUCT NO.	CR-2477/G1AN	SCALE	4 : 1
DRAWING NO.	RXGD3Z	UNIT: mm	