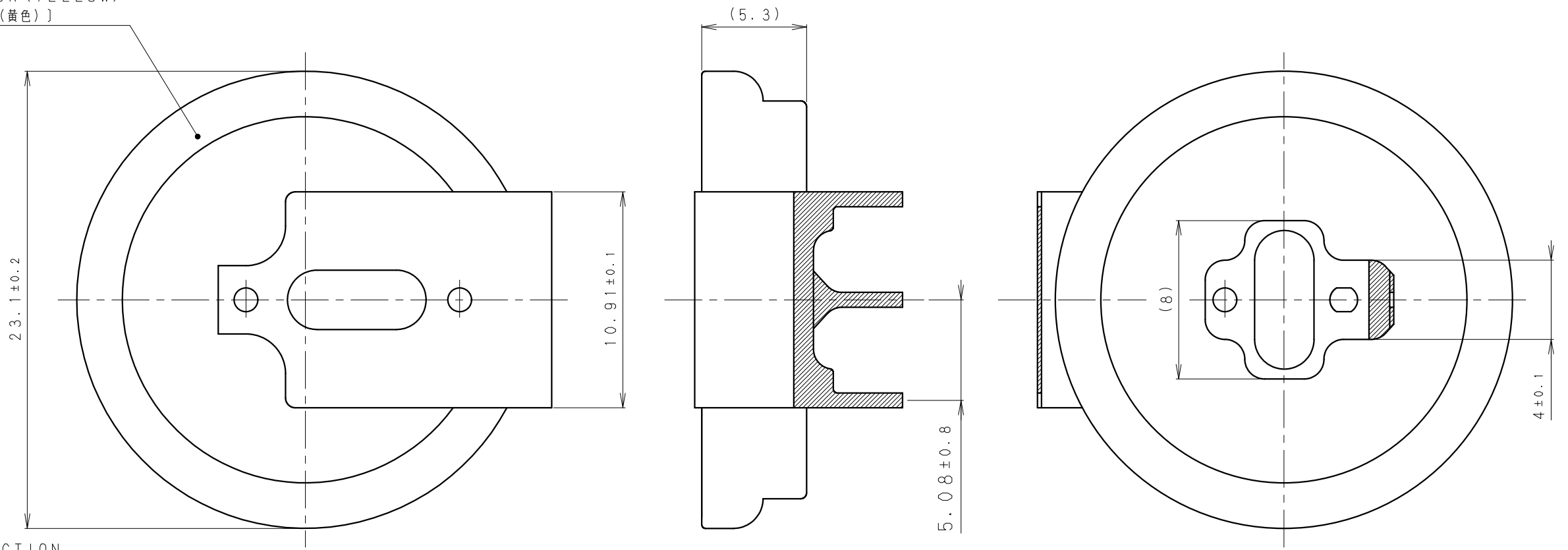
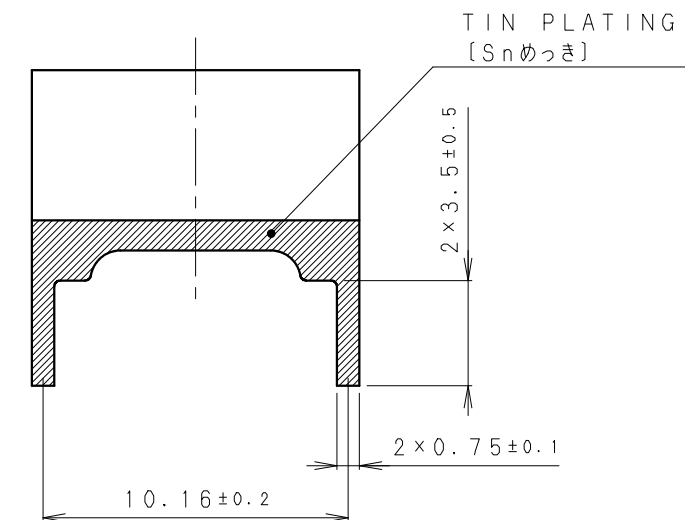
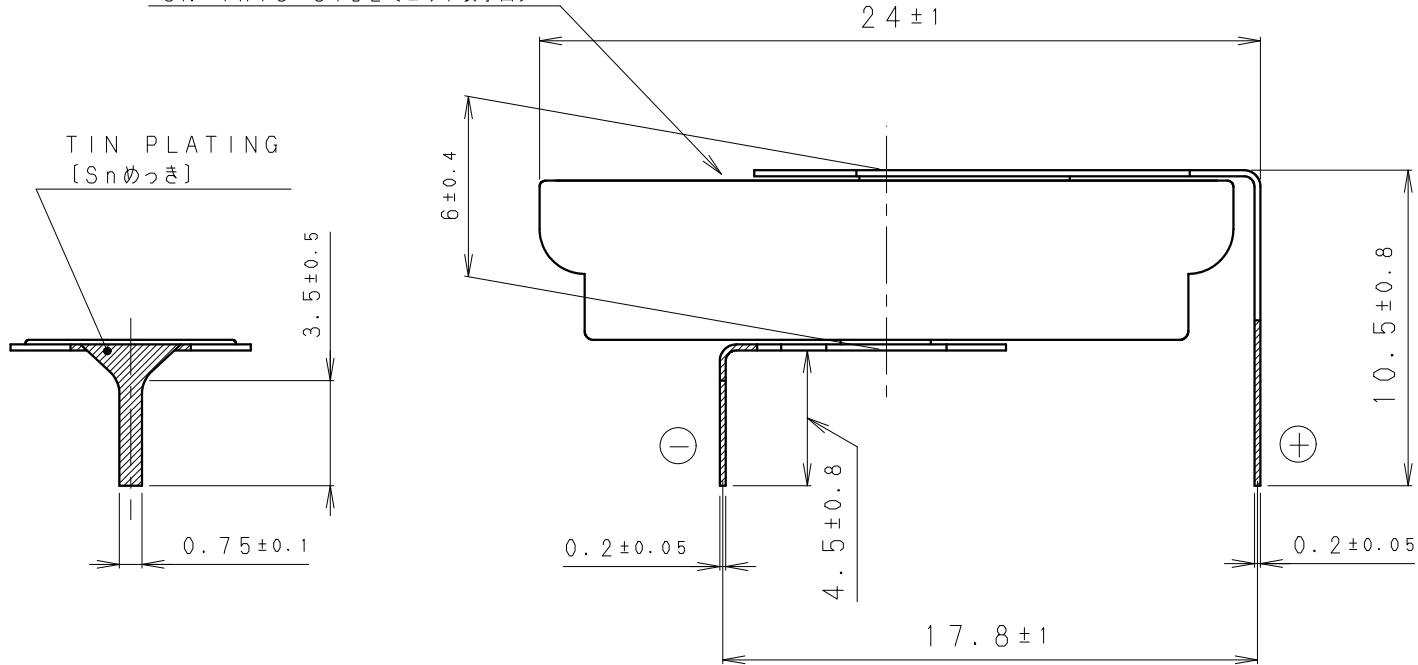


INSULATOR (YELLOW)
[絶縁チューブ (黄色)]



DATE CODE INDICATION
ON THIS SIDE [ロット表示面]



- NOTE [注記]
1. NOMINAL VOLTAGE: 3V [公称電圧3V]
 2. TAB WELDING STRENGTH OVER 19.6N [端子溶接強度: 19.6N以上]
 3. TAB MATERIAL: STAINLESS STEEL WITH TIN PLATING [端子材料: 基材 ステンレス/表面 部分Snめっき]
 4. (): REFERENCE DIMENSION AND ANGLE [() 寸法、角度は参考値]

PRODUCT NO.	CR-2354/GUFN	SCALE	4:1
DRAWING NO.	QVGB1Z	UNIT: mm	