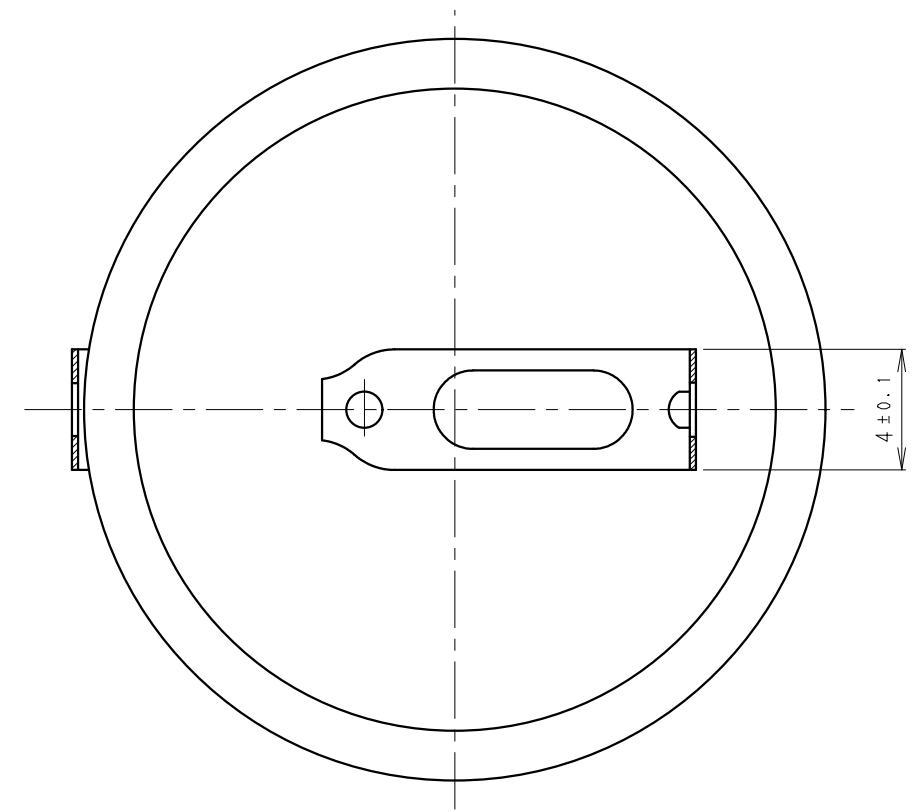
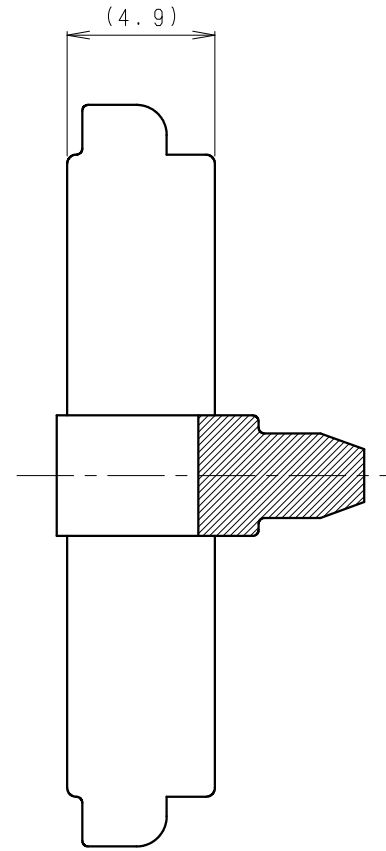
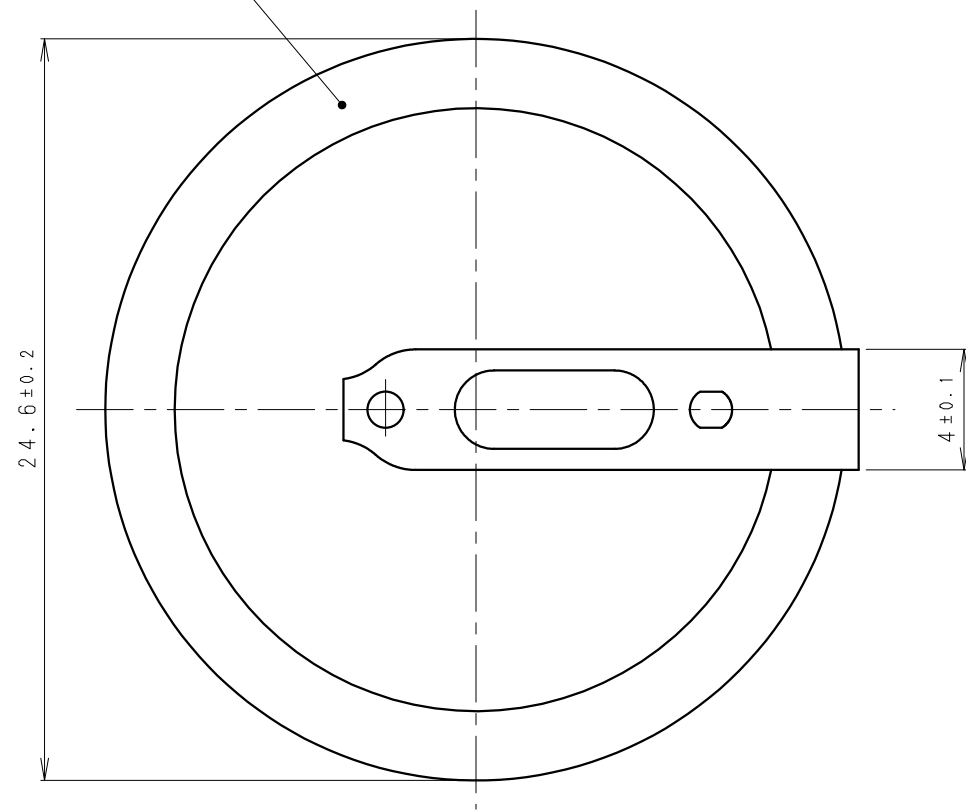
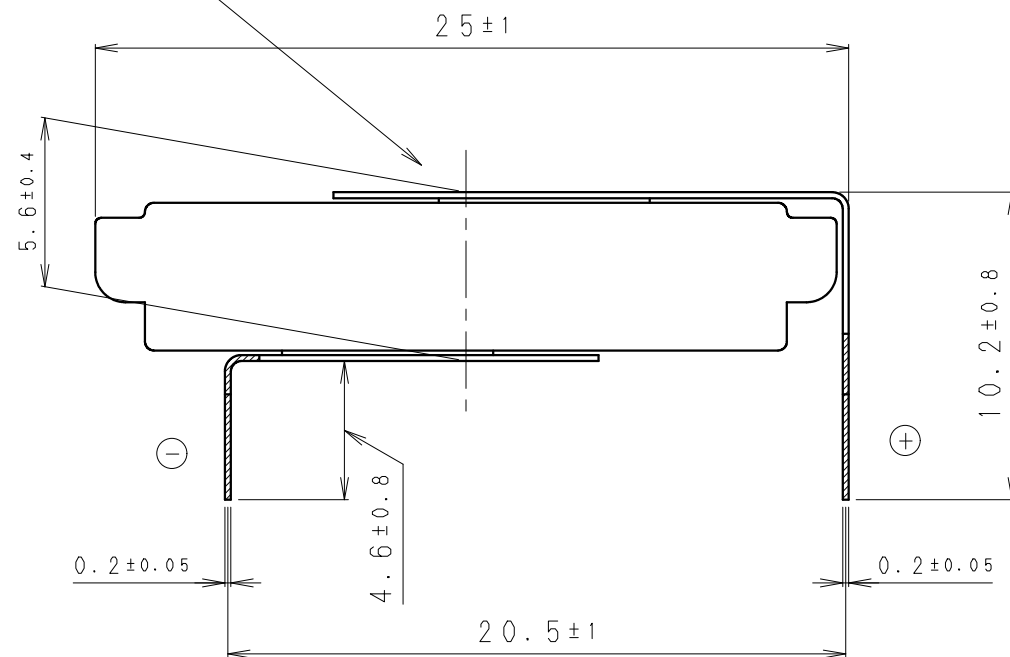
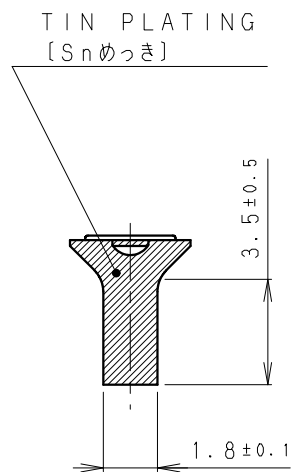


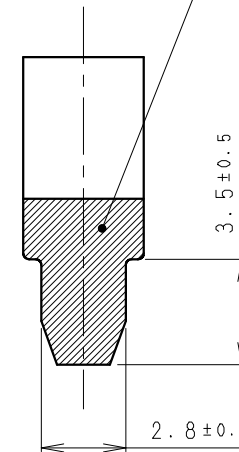
INSULATOR [FRESH GREEN]
(絶縁チューブ [フレッシュグリーン色])



DATE CODE INDICATION
ON THIS SIDE [ロット表示面]



TIN PLATING
[Snめっき]



NOTE [注記]

1. NOMINAL VOLTAGE: 3V [公称電圧: 3V]
2. TAB WELDING STRENGTH OVER 19.6N [端子溶接強度: 19.6N以上]
3. TAB MATERIAL: STAINLESS STEEL WITH TIN PLATING [端子材料: 基材 ステンレス/表面 部分Snめっき]
4. (): REFERENCE DIMENSION AND ANGLE [() 寸法、角度は参考値]

PRODUCT NO.	BR-2450A/HAK	SCALE	4:1
DRAWING NO.	RUHA3Z	UNIT: mm	