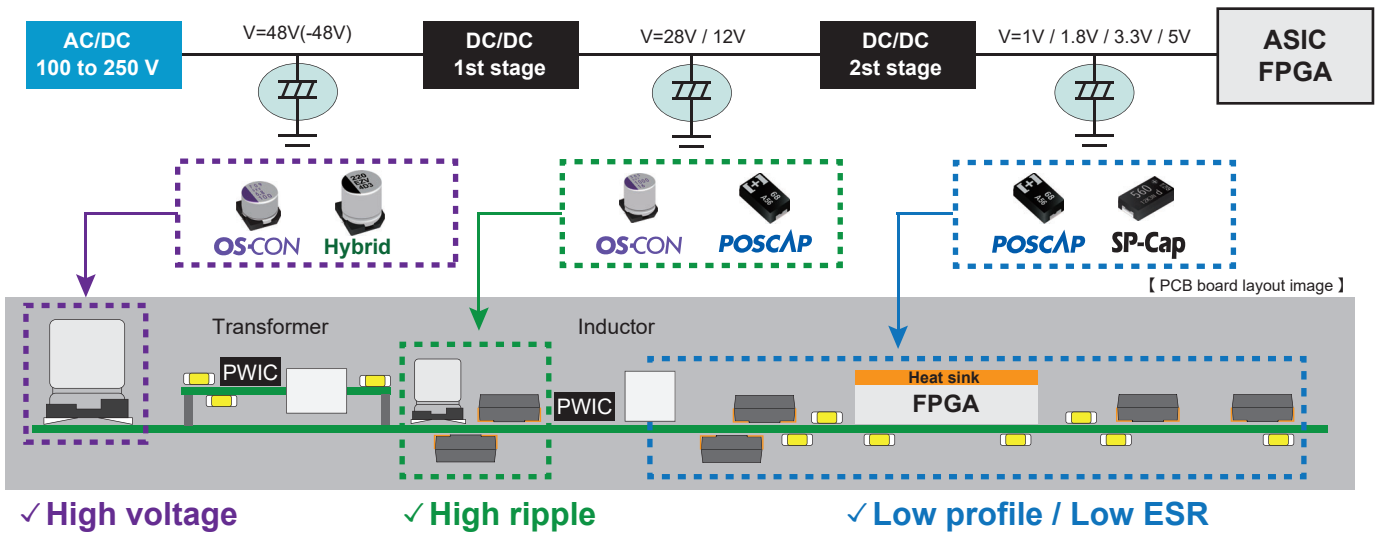


Panasonic Industry polymer solutions for Network related

【Benefit Points】

POSCAP, SP-Cap, OS-CON, Hybrid & Resistor

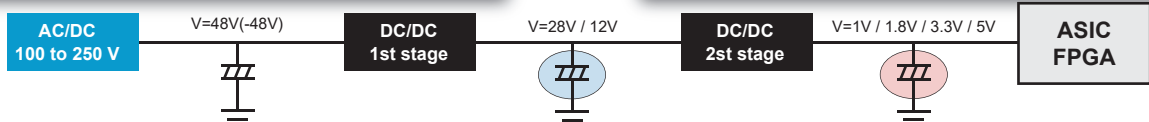
4 High performance polymers support design needs



POSCAP Conductive Polymer Tantalum Solid Capacitors

Only 1p POSCAP might replace several capacitors

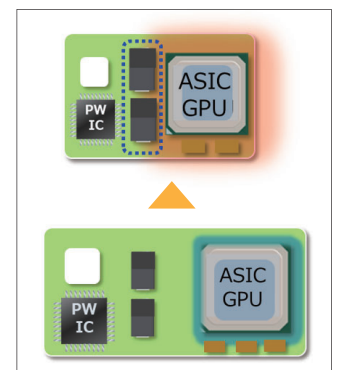
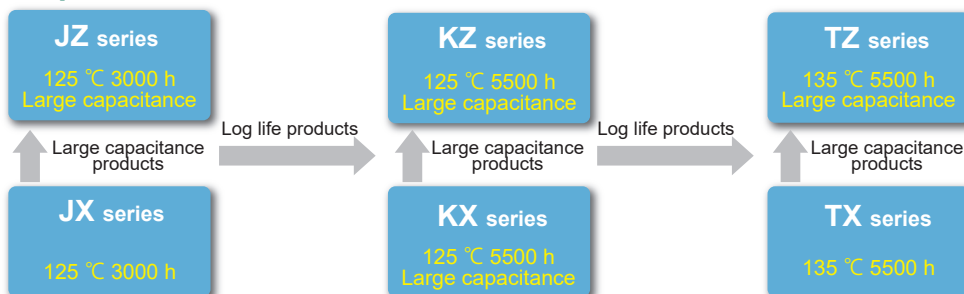
<p>[High voltage]</p> <p>TQC series</p> <p>16V47μF/20V33μF/25V22μF/35V10μF</p> <p>16V220μF/25V100μF</p>	<p>B size</p> <p>D size</p>	<p>[Low ESR]</p> <p>TPE series</p> <p>2.5V330μF/6.3V220μF/25V22μF/35V10μF</p> <p>TPF series</p> <p>2.5V1000μF/6.3V470μF</p> <p>5 mΩ available (TPF: 2.5V/1000μF)</p>
---	-----------------------------	---



SP-Cap Conductive Polymer Aluminum Electrolytic Capacitors

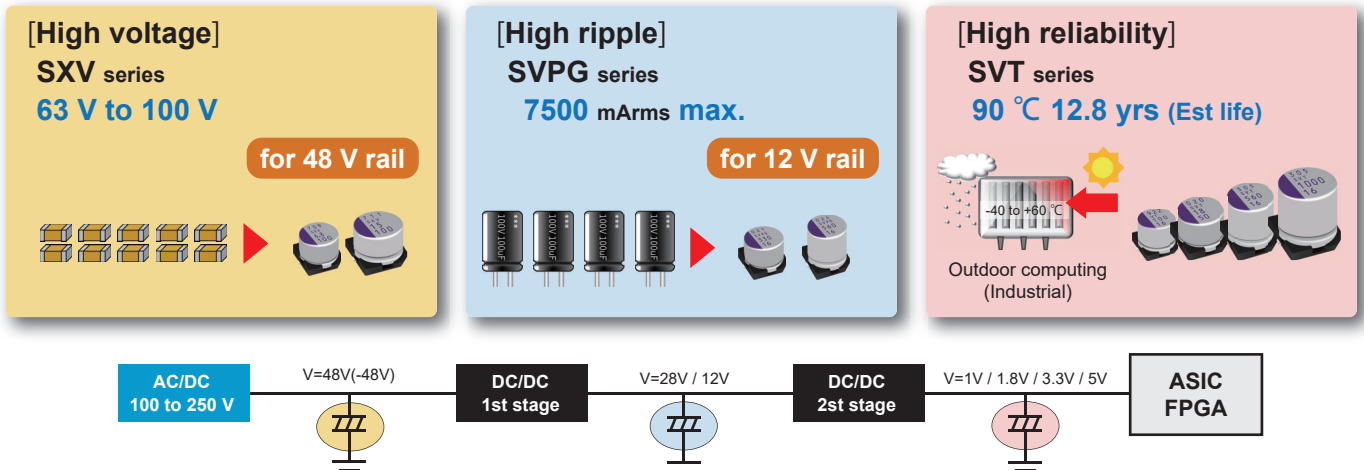
Satisfy design trend / Circuit conditions

- ✓ Possible for mount near heated
- ✓ Specified at 85°C85%RH, 1000 h



OS-CON Conductive Polymer Aluminum Solid Capacitors

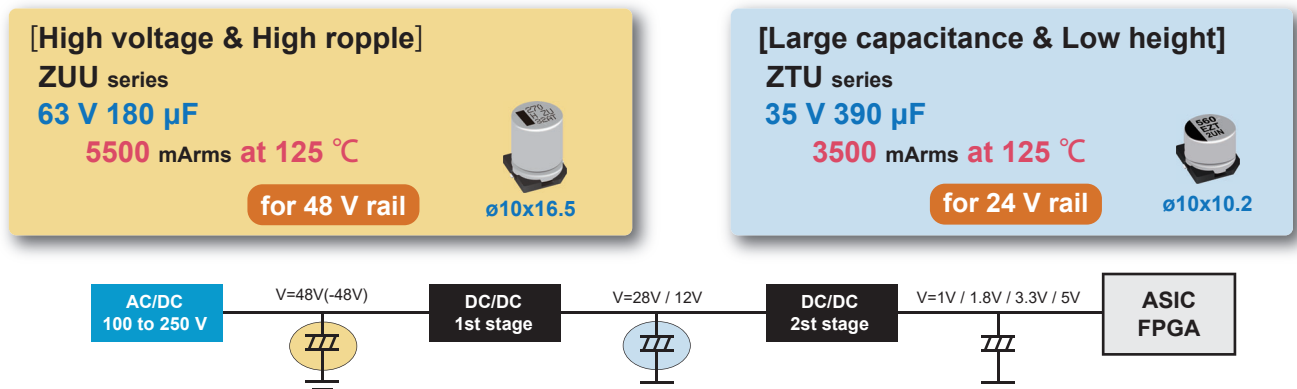
Support low to high voltage rails



Hybrid Conductive Polymer Hybrid Aluminum Electrolytic

Polymer + Liquid technologies realize high performances

- ✓ Low LC (0.01CV)
- ✓ Open life end mode
- ✓ AEC-Q200 compliant
- ✓ Space saving



Resistor

Supporting widen design availability

