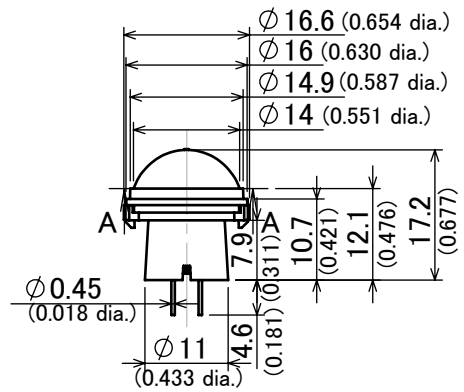
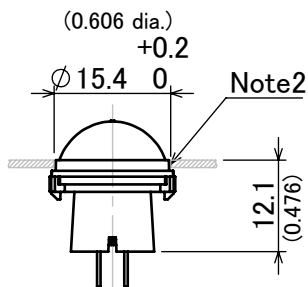
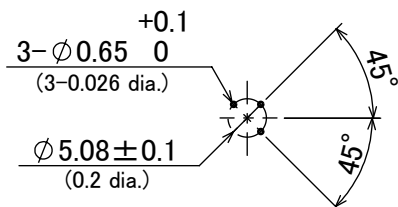


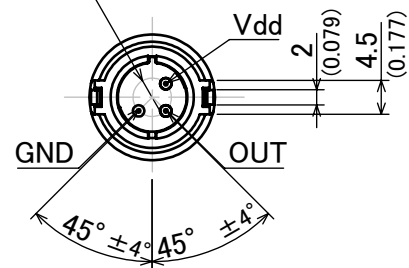
Recommended panel mouting hole dimensions



Recommended PC board pattern



P.C.D. $\phi 5.08 \pm 0.2$
(0.2 dia.)



SECTION A-A

Note1 : In order to ensure proper detection, install it with the lens exposed at least 5.1mm (0.201inch).

Note2 : As for panel mouting hole, tapering or making a large size hole should be done.

General tolerance ± 0.5 mm
(± 0.020 inch)

Parts No. EKM***0811**

Date Mar.01.2020

Name PIR MOTION SENSOR 'PaPIRs' EKM series
(Wide detection type)

Scale 1:1 Unit mm

Tolerance

Panasonic Corporation
Life Solutions Company