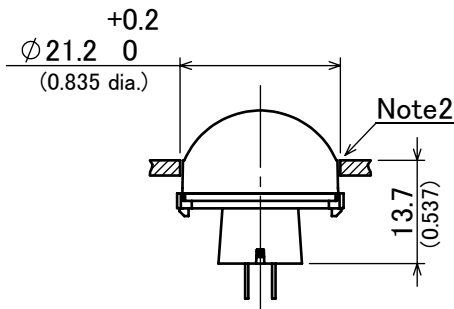
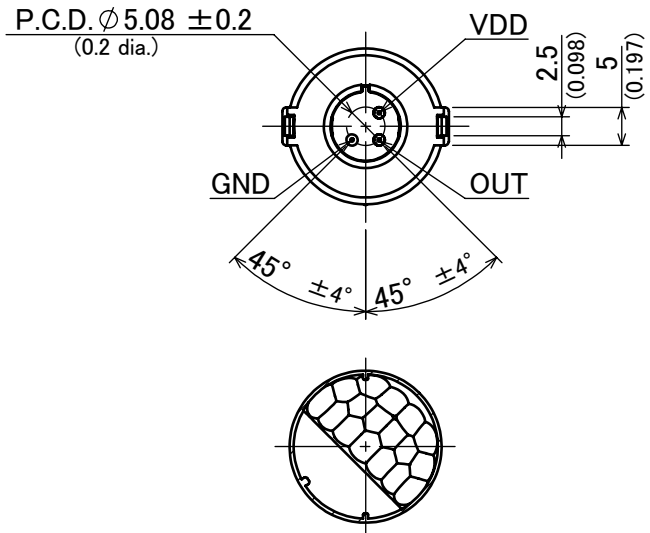
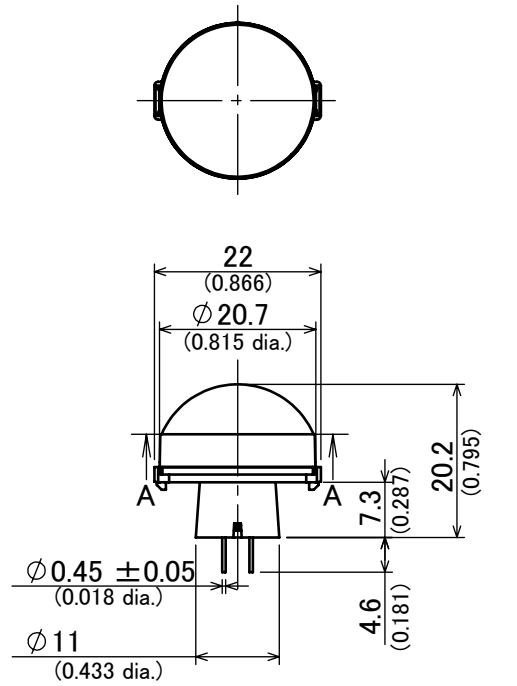
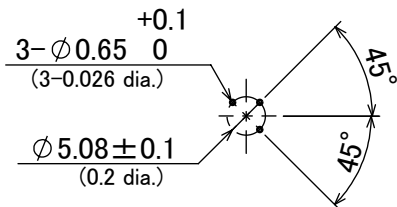


Recommended panel mouting hole dimensions



Recommended PC board pattern



SECTION A-A
SCALE 1:1

Note1 : In order to ensure proper detection, install it with the lens exposed at least 6.6mm (0.260inch)

Note2 : As for panel mounting hole, tapering or making a large size hole should be done.

General tolerance ± 0.5 mm
(± 0.020 inch)

Parts No. EKM***0411**

Date July.06.2016

Name PIR MOTION SENSOR 'PaPIRs' EKM series
(Wall installation type)

Scale 1:1 Unit mm

Tolerance

Panasonic Corporation
Eco Solutions Company