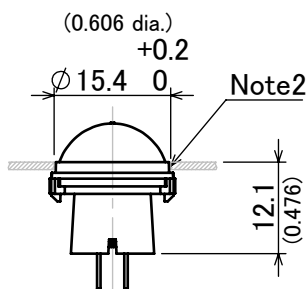
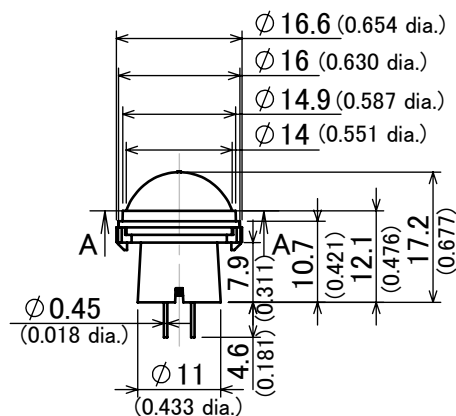
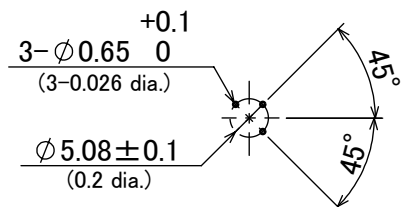


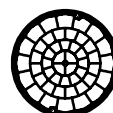
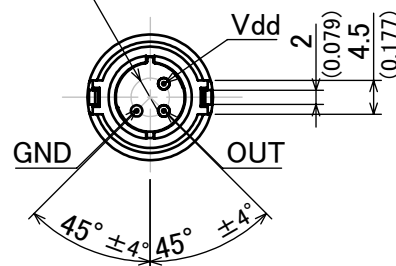
Recommended panel mouting hole dimensions



Recommended PC board pattern



P.C.D.  $\phi$ 5.08 ±0.2  
(0.2 dia.)



SECTION A-A

Note1 : In order to ensure proper detection, install it with the lens exposed at least 5.1mm (0.201inch).

Note2 : As for panel mouting hole, tapering or making a large size hole should be done.

General tolerance  $\pm 0.5$  mm  
( $\pm 0.020$  inch)

Parts No. EKM\*\*\*0911\*\*

Date Mar.01.2020

Name PIR MOTION SENSOR 'PaPIRs' EKM series  
(Ultra slight motion type)

Scale 1:1 Unit mm

Tolerance

Panasonic Corporation  
Life Solutions Company