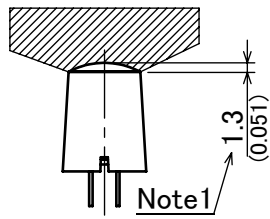
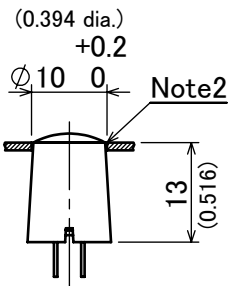


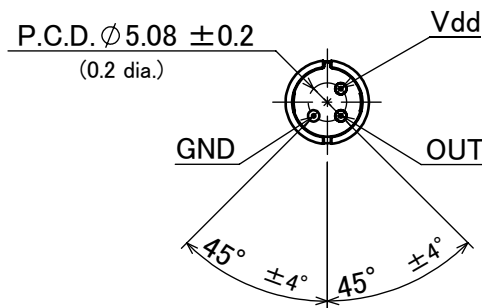
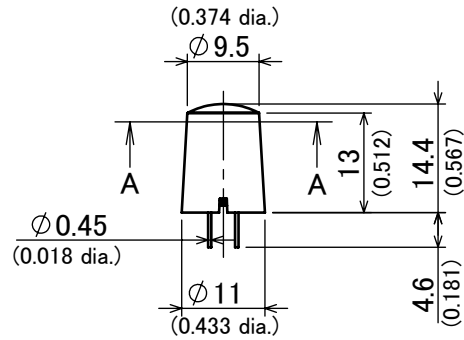
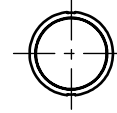
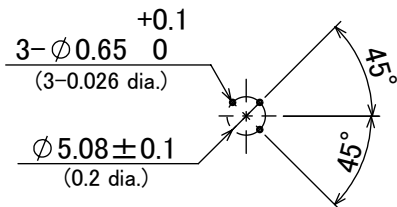
Detection range



Recommended panel mouting hole dimensions



Recommended PC board pattern



SECTION A-A

Note1 : In order to ensure proper detection, install it with the lens exposed at least 1.3mm (0.051inch).

Note2 : As for panel mouting hole, tapering or making a large size hole should be done.

General tolerance  $\pm 0.5$  mm ( $\pm 0.020$  inch)

Parts No. EKM\*\*\*0111\*\*

Date July.27.2016

Name PIR MOTION SENSOR 'PaPIRs' EKM series  
(Standard detection type)

Scale 1:1

Unit mm

Tolerance

Panasonic Corporation  
Eco Solutions Company