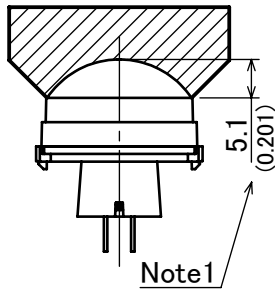
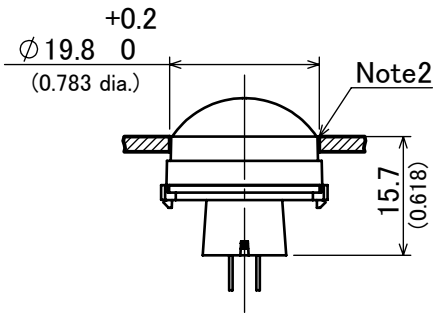


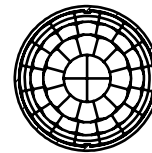
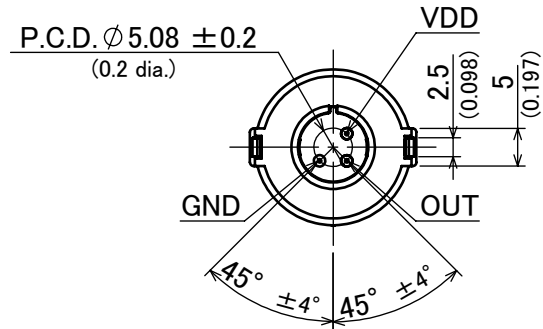
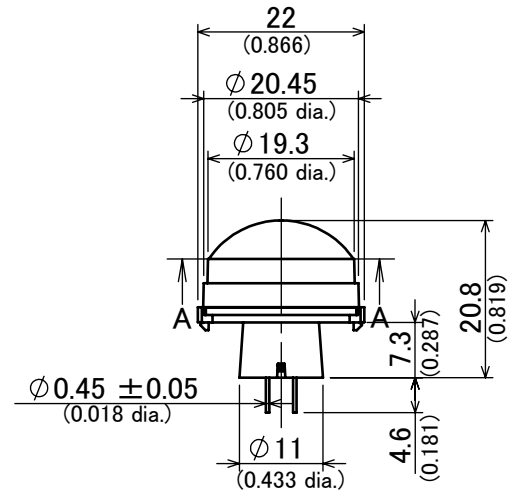
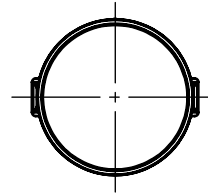
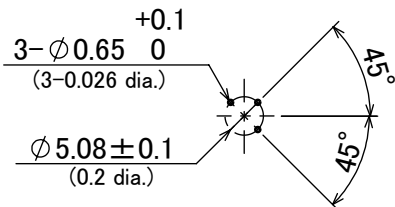
Detection range



Recommended panel mouting hole dimensions



Recommended PC board pattern



SECTION A-A

Note1 : In order to ensure proper detection, install it with the lens exposed at least 5.1mm (0.201inch)

Note2 : As for panel mouting hole, tapering or making a large size hole should be done.

General tolerance  $\pm 0.5$  mm  
( $\pm 0.020$  inch)

Parts No. EKM\*\*\*0611\*\*

Date January.09.2018

Name PIR MOTION SENSOR 'PaPIRs' EKM series  
(High density long distance type)

Scale 1:1 Unit mm

Tolerance

Panasonic Corporation  
Eco Solutions Company