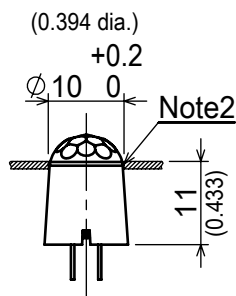
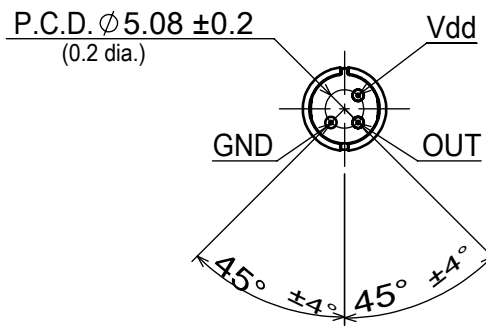
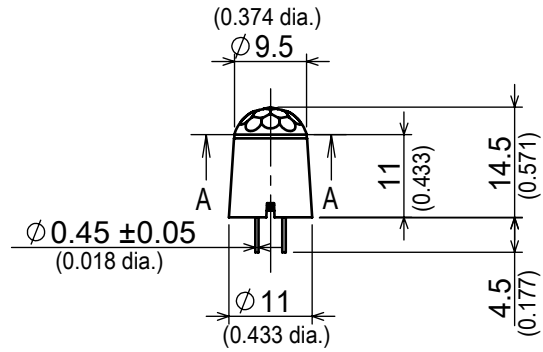
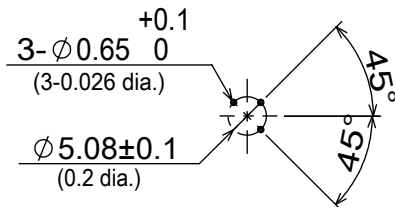


Recommended panel mouting hole dimensions



Recommended PC board pattern



SECTION A-A

Note1 : In order to ensure proper detection, install it with the lens exposed at least 3.5mm (0.138inch).

Note2 : As for panel mouting hole, tapering or making a large size hole should be done.

General tolerance ± 0.5 mm
(± 0.020 inch)

Parts No. AMN*111*

Date July.27.2016

Name PIR MOTION SENSOR 'PaPIRs' NaPiOn series
(Standard detection type)

Scale 1:1 Unit mm

Tolerance

Panasonic Corporation
Eco Solutions Company