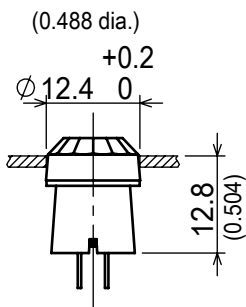
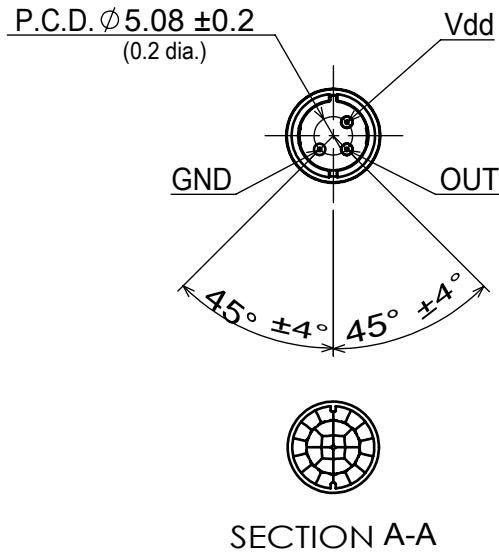
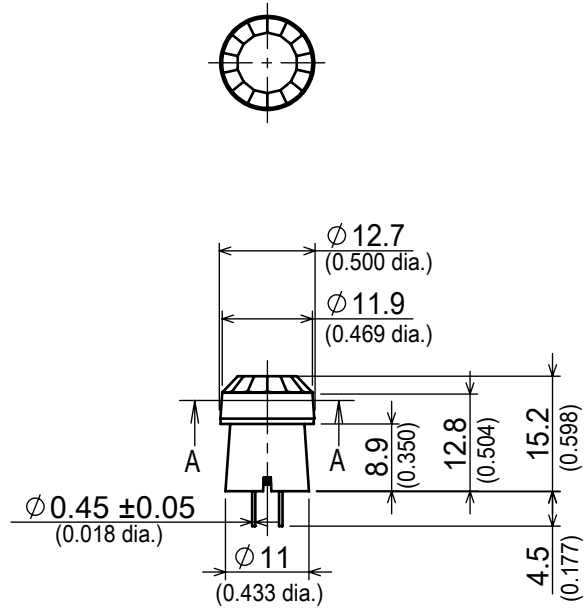
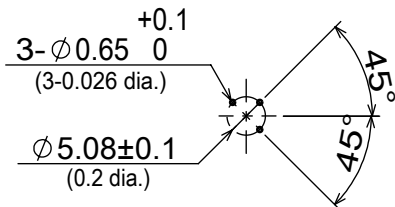


Recommended panel mouting hole dimensions



Recommended PC board pattern



SECTION A-A

Note1 : In order to ensure proper detection, install it with the lens exposed at least 2.4mm (0.094inch).

Note2 : As for panel mouting hole, tapering or making a large size hole should be done.

General tolerance  $\pm 0.5$  mm ( $\pm 0.020$  inch)

Parts No. AMN\*211\*

Date July.27.2016

Name PIR MOTION SENSOR 'PaPIRs' NaPiOn series  
(Slight motion detection type)

Scale 1:1 Unit mm

Tolerance

Panasonic Corporation  
Eco Solutions Company