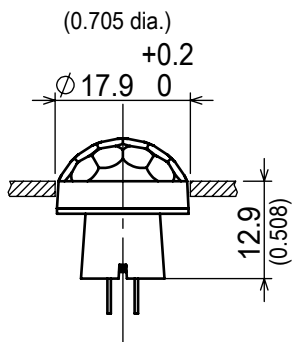
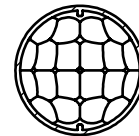
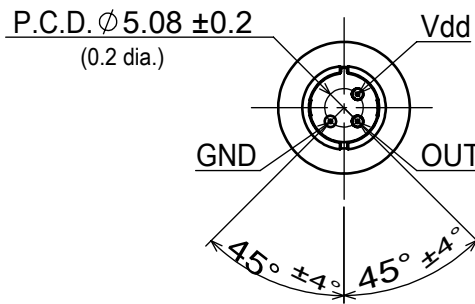
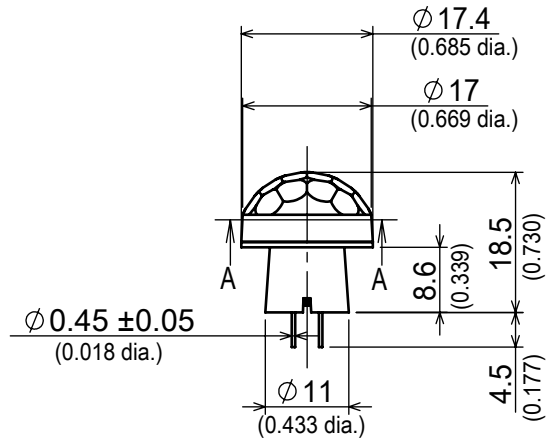
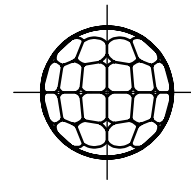
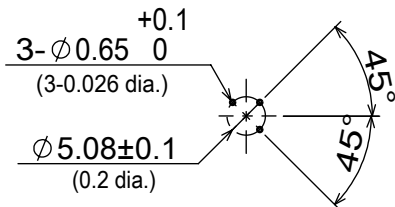


Recommended panel mouting hole dimensions



Recommended PC board pattern



SECTION A-A

Note1 : In order to ensure proper detection, install it with the lens exposed at least 5.6mm (0.220inch).  
Note2 : As for panel mouting hole, tapering or making a large size hole should be done.

General tolerance  $\pm 0.5$  mm  
( $\pm 0.020$  inch)

Parts No. AMN\*411\*

Date May.27.2016

Name PIR MOTION SENSOR 'PaPIRs' NaPiON series  
(10m detection type)

Scale 1:1 Unit mm

Tolerance

Panasonic Corporation  
Eco Solutions Company