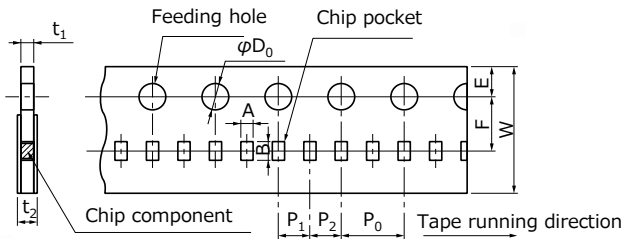


Packaging Methods (Taping)

● Standard Quantity

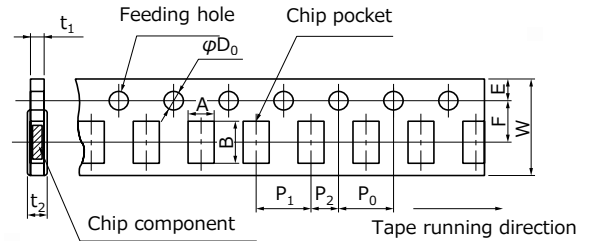
Series	Size Code (inch size)	Thickness (mm)	Kind of Taping	Pitch (mm)	Quantity (pcs/reel)
EZJZ, EZJP	0 (0402)	0.5	Punched Carrier Taping	2	10,000
	1(0603)	0.8		4	4,000

● 2 mm Pitch (Punched Carrier Taping) Size 0402



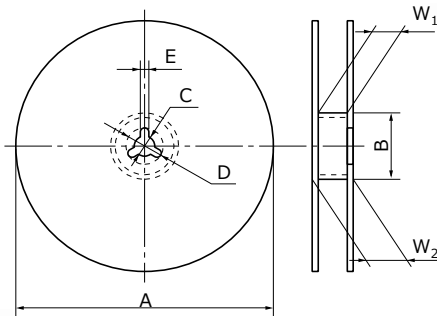
Symbol	A	B	W	F	E	P ₁	P ₂	P ₀	φD ₀	t ₁	t ₂
Unit (mm)	0.62 ±0.05	1.12 ±0.05	8.0 ±0.2	3.50 ±0.05	1.75 ±0.10	2.00 ±0.05	2.00 ±0.05	4.0 ±0.1	1.5 +0.1/0	0.7 max.	1.0 max.

● 4 mm Pitch (Punched Carrier Taping) Size 0603



Symbol	A	B	W	F	E	P ₁	P ₂	P ₀	φD ₀	t ₁	t ₂
Unit (mm)	1.0 ±0.1	1.8 ±0.1	8.0 ±0.2	3.50 ±0.05	1.75 ±0.10	4.0 ±0.1	2.00 ±0.05	4.0 ±0.1	1.5 +0.1/0	1.1 max.	1.4 max.

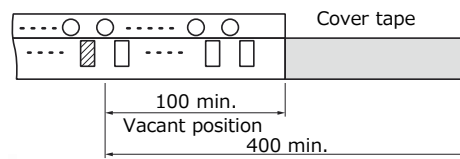
● Reel for Taping



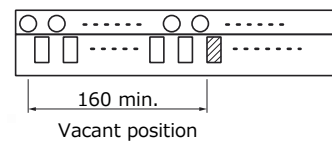
Symbol	A	B	C	D	E	W ₁	W ₂
Unit (mm)	φ 180 ⁰ / ₋₃	φ 60.0 ^{+1.0} / ₀	13.0 ±0.5	21.0 ±0.8	2.0 ±0.5	9.0 ^{+1.0} / ₀	11.4 ±1.0

● Leader Part and Taped End

Leader part



Tape end



Unit (mm)