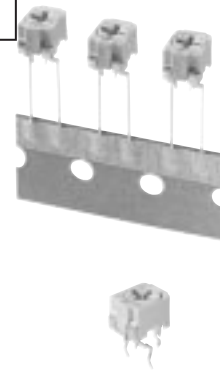


6 mm Square Dustproof Ceramic Trimmer Potentiometers
(Cermet, Radial Taping, with Knob Protection)

Discontinued



Type: **EVMEAS/EVMEES**
(Radial Taping)
EVMEAG/EVMEEG
(Bulk)

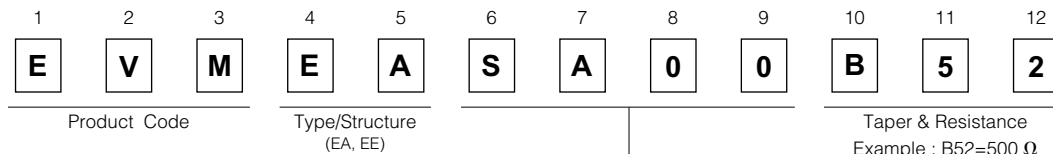
■ Features

- High reliability due to cermet element
- No readjustment needed through knob protected structure
- Excellent mounting efficiency due to cubic shape
- Automated adjustment available
Face side: Standard cross slot screwdriver suited to automatic adjustment applicable
Back side: Penetrated slot for easy driving
- Conforms to JIS C5260-1:1999

■ Recommended Applications

- Audio/visual, office, and communication equipment
- General electronic equipment

■ Explanation of Part Numbers



Symbol	Packaging
SA00	Radial taping height 20 mm
SA01	Radial taping height 21 mm
GA00	Bulk Standard

*For part number details, refer to page ER129.

■ Specifications

	EVMEAS□	EVMEE□ (Low Resistor Value)
Total Resistance Value	100 Ω to 1 MΩ	10 Ω to 500 Ω
Resistance Tolerance	±25 %	
Power Rating	0.3 W	0.5 W
Limiting Element Voltage (Maximum RCWV)	100 V	$\sqrt{P \cdot R}$
Rotation Torque	2 to 30 mN·m	
Stopper Strength	50 mN·m min.	
Temperature Coefficient of Resistance	$\pm 200 \times 10^{-6}/^{\circ}\text{C}(\text{ppm}/^{\circ}\text{C})$	· $10 \Omega \leq R \leq 20 \Omega \dots \dots \pm 200 \times 10^{-6}/^{\circ}\text{C}(\text{ppm}/^{\circ}\text{C})$ · $20 \Omega < R \leq 200 \Omega \dots \dots \pm 150 \times 10^{-6}/^{\circ}\text{C}(\text{ppm}/^{\circ}\text{C})$ · $200 \Omega < R \leq 500 \Omega \dots \dots \pm 100 \times 10^{-6}/^{\circ}\text{C}(\text{ppm}/^{\circ}\text{C})$

■ Minimum Quantity/Packing Unit

Part Number	Radial taping		Bulk	
	Quantity per Box	Packaging quantity	Quantity per pack	Packaging quantity
EVMEAS EVMEES	1000	10000	—	—
EVMEAG	—	—	200	2000
EVMEEG	—	—	1000	3000

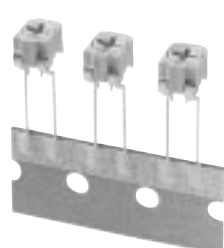
Discontinued

■ Dimensions in mm (not to scale)

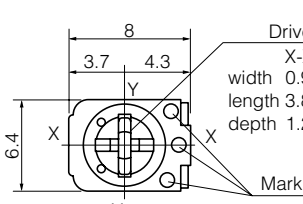
● Radial tapering

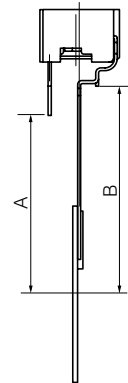
● 3-terminal, Top-adjust, Cross/Ordinary Slots..... EVMEAS/EVMEES

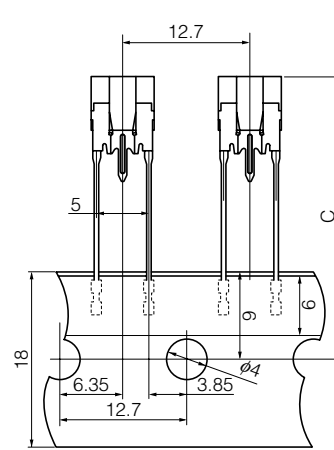
No. 1

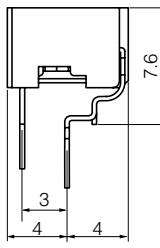
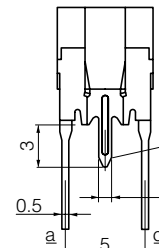


Driver Slot
X-X Y-Y
width 0.9 0.9
length 3.8 4.2
depth 1.2 1.7

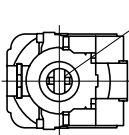
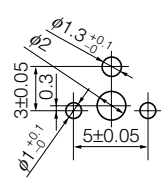






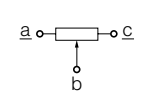



Driver Slot
width 0.8
length 1.6

(Recommended PWB Piercing Plan)

	A	B	C
A00	17	20	27.6
A01	18	21	28.6




(Circuit diagram)

Mass (Weight) : 590 mg/pc.

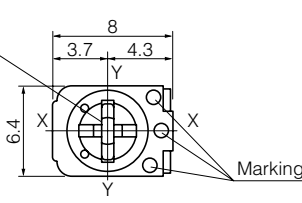
● Bulk

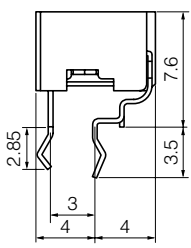
● 3-terminal, Top-adjust, Cross/Ordinary Slots..... EVMEAG/EVMEEG

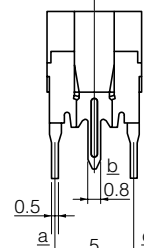
No. 2

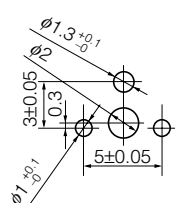


Driver Slot
X-X Y-Y
width 0.9 0.9
length 3.8 4.2
depth 1.2 1.7



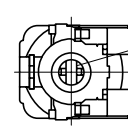


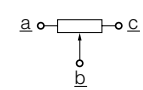




(Recommended PWB Piercing Plan)

Driver Slot
width 0.8
length 1.6





(Circuit diagram)

Mass (Weight) : 590 mg/pc.

■ Explanation of Part Numbers

