

Power Inductors / Wire Wound type

**Discontinued**

Series: **G**  
 Type: **ELLSFG-A**



■ **Features**

- Magnetic shielded structure
- Low DC resistance and large current capability
- Shock resistant
- RoHS compliant

■ **Recommended Applications**

- DC-DC converter circuitry for computer peripherals and cellular phones.
- Chopper circuit decoupling chokes for DC-DC converter circuitry.

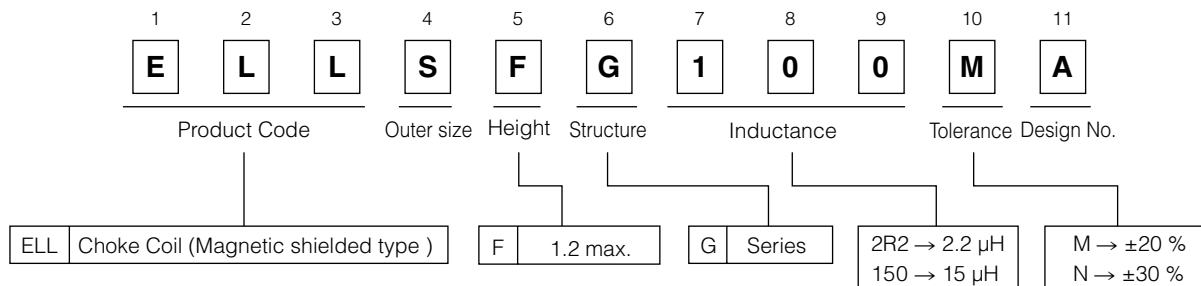
■ **Standard Packing Quantity**

- 2000 pcs./Reel

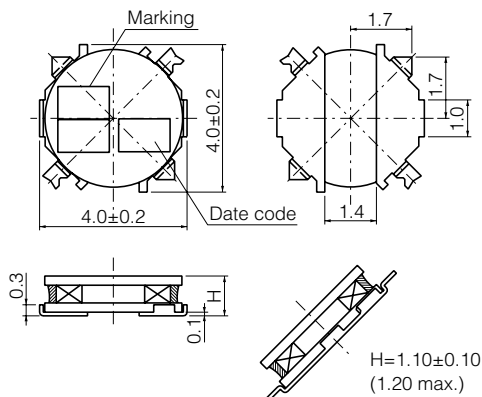
■ **Soldering Conditions and Safety Precautions**

Please see Data Files

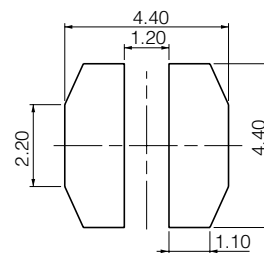
■ **Explanation of Part Numbers**



■ **Dimensions in mm (not to scale)**



■ **Recommended land patterns in mm (not to scale)**



Design and specifications are each subject to change without notice. Ask factory for the current technical specifications before purchase and/or use. Should a safety concern arise regarding this product, please be sure to contact us immediately.

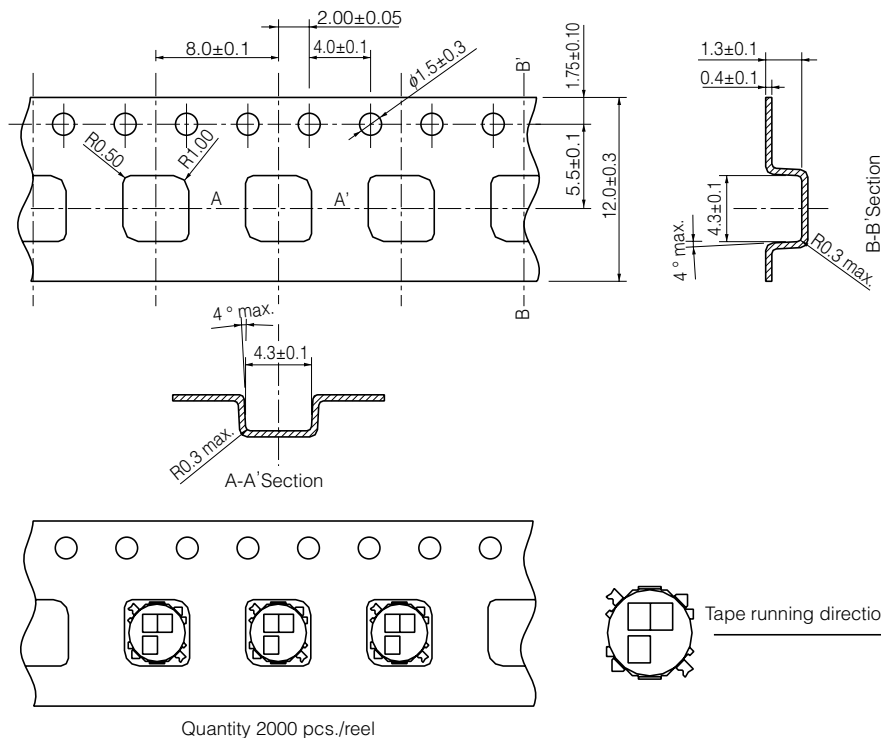
## Standard Parts

Part Number	Inductance (100 kHz)		R <sub>DC</sub> (at 20 °C)		Saturation Rated Current*1 (mA max.)	Temperature Rise Current*2 (mA max.)	Marking
	(μH)	Tol.	(mΩ)	Tol.			
ELLSFG1R0NA	1.0	±30 %	49	±20 %	1800	1700	01
ELLSFG1R2NA	1.2		58		1700	1550	03
ELLSFG2R2NA	2.2		79		1300	1350	11
ELLSFG3R3NA	3.3		110		1100	1150	16
ELLSFG4R7NA	4.7		130		1000	1100	21
ELLSFG6R8NA	6.8		180		800	950	26
ELLSFG100MA	10.0	±20 %	230		740	800	31
ELLSFG150MA	15.0		390		500	650	33
ELLSFG220MA	22.0		520		470	580	36
ELLSFG330MA	33.0		860		350	410	39
ELLSFG470MA	47.0		1150		300	350	51
ELLSFG560MA	56.0		1300		290	330	52
ELLSFG680MA	68.0		1500		270	310	53
ELLSFG820MA	82.0		2000		220	270	55
ELLSFG101MA	100.0		2400		210	240	56
ELLSFG121MA	120.0		3100		200	210	57
ELLSFG151MA	150.0		3800		190	190	59
ELLSFG181MA	180.0		4300		180	180	65
ELLSFG221MA	220.0		6700		140	145	66
ELLSFG331MA	330.0		8900		130	128	69
ELLSFG471MA	470.0	12300	100	110	71		

\*1 Saturation Rated Current : This DC current which causes a 30 % inductance reduction from its nominal value.

\*2 Temperature Rise Current : This indicates the value of current when temperature rise dt/t= 40 °C (at 20 °C).

## Embossed Carrier Tape Dimensions in mm (not to scale)



Design and specifications are each subject to change without notice. Ask factory for the current technical specifications before purchase and/or use. Should a safety concern arise regarding this product, please be sure to contact us immediately.