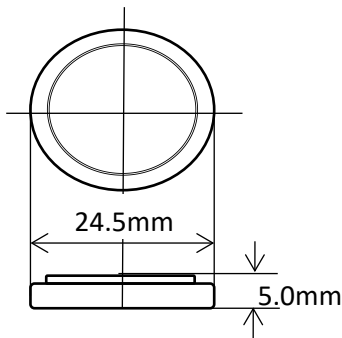


# CR2450A

## CR Coin-type Lithium Battery (High temperature model)



### Features & Benefits

- Excellent durability under high temperature conditions (up to 125°C) allows various devices such as automotive electrical components and outdoor devices to be used under severe environments.
- Superior pulse discharging characteristics even at low temperatures and can be used in a wide operating temperature.
- Excellent long-term reliability enables safe and long-term use.

### Applications

TPMS, ETC, Meters and others.

### Specifications

<b>Nominal voltage</b>		3V
<b>Nominal capacity</b>		550mAh
<b>Continuous drain</b>		0.4mA
<b>Dimensions*<sup>1</sup></b>	<b>Diameter(Max.)</b>	24.5mm
	<b>Height(Max.)</b>	5.0mm
<b>Weight*<sup>1</sup></b>		Approx. 6.2g
<b>Operating temperature</b>		-40°C to +125°C

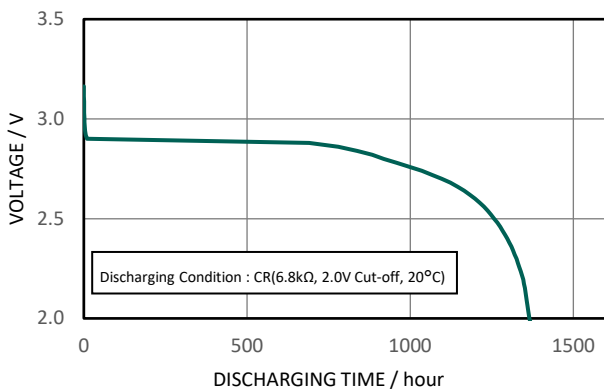
\*<sup>1</sup> Without tabs.

### Terminal types

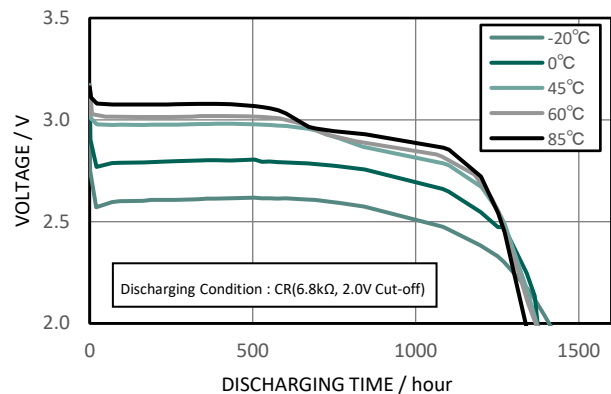
Please see the documents for the terminal and lead wire settings.

- [Line up of tab terminal types by product number](#)

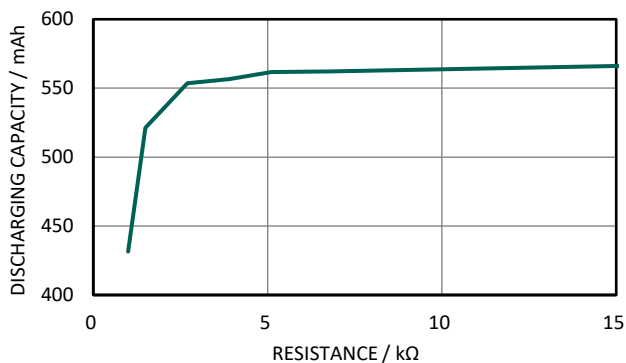
#### Discharging Characteristics



#### Discharge Temperature Characteristics



#### Continuous Discharging Characteristics



[Panasonic Energy Co., Ltd.](#)

As of October, 2024. Panasonic offers batteries with tabs or lead wires. This data in this document is for descriptive purposes only and is not intended to make or imply any guarantee or warranty. The contents of this product information are subject to change without notice.

