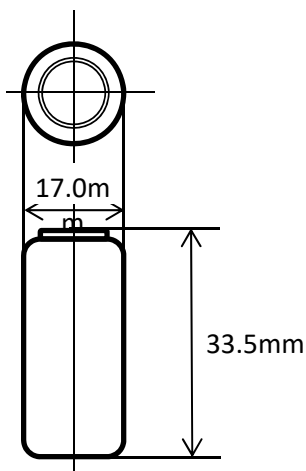




#### Features & Benefits

- Long-term reliability is suitable for outdoor device which are difficult to maintenance such as to change batteries.
- Superior high-rate discharging characteristics are suitable for various IoT devices with wireless communication functions.
- Superior high-rate discharging characteristics at low temperature allows devices to be used under serve conditions.

#### Dimensions



\* Panasonic offers batteries with tabs or lead wires.

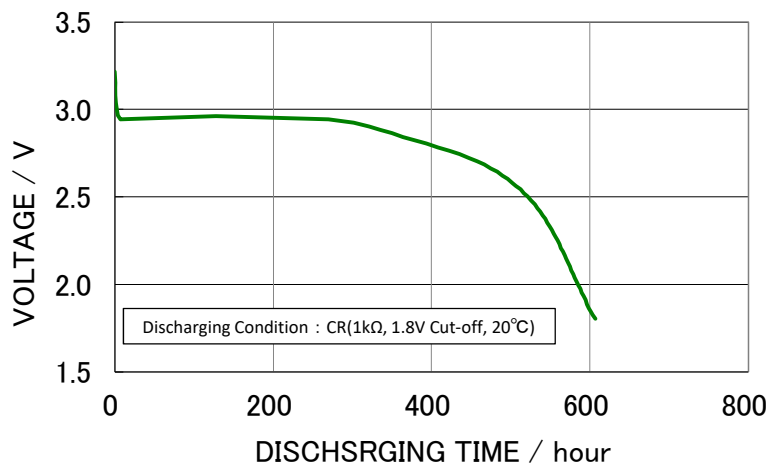
#### Specifications

|                                 |                 |        |
|---------------------------------|-----------------|--------|
| Part number                     | CR-2/3AU        |        |
| Nominal Voltage                 | 3V              |        |
| Nominal Capacity                | 1,600mAh        |        |
| Continuous Drain                | 2.5mA           |        |
| Maximum Pulse Discharge current | 2A              |        |
| Dimensions*1                    | Diameter(Max.)  | 17.0mm |
|                                 | Height(Max.)    | 33.5mm |
| Weight*1                        | Approx. 16.0g   |        |
| Operating Temperature           | -40°C ~ +85°C*2 |        |

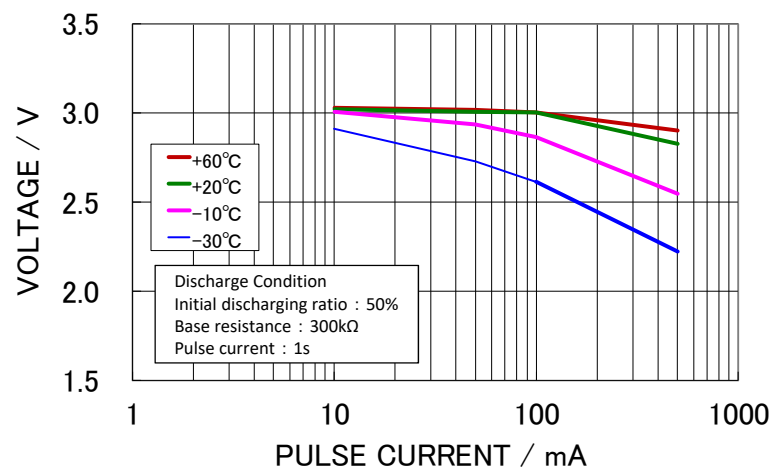
\*1 Without tabs.

\*2 Please consult Panasonic when anticipating usage in operating temperature 70°C or above.

#### Discharging Characteristics



#### Pulse Discharging Characteristics



#### Applications

Smoke detectors, Meters, IoT devices, Home security and others.

This data in this document is for descriptive purposes only and is not intended to make or imply any guarantee or warranty. As of August, 2021. The contents of this product information are subject to change without notice.

Please visit our website at:

Panasonic Corporation

<https://industrial.panasonic.com/ww/products/pt/lithium-batteries>

