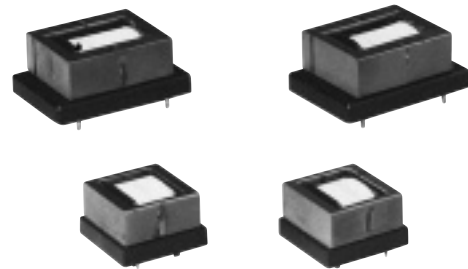


Switching Transformers

Japan
Singapore
Indonesia
China

Type: **Flat Type**

This is a flat transformer for switching power supplies



Applied Safety Std. : Denki Yohin*, UL, CSA, Europe's Class II

Industrial Property : Utility models 3 (pending)

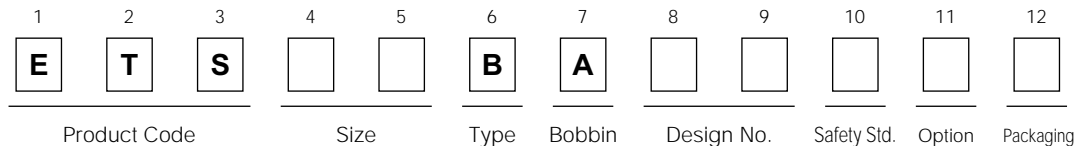
■ Features

- Flat construction by using the EE type core horizontally to reduce height
- The improved insulation between windings is accomplished by having wide winding widths
- UL1411 recognized types are available

■ Recommended Applications

- AC Adaptors
- Printers, Fax machines
- LCD Displays, LCD TVs

■ Explanation of Part Numbers



■ Performance Characteristics

- Applicable Safety Standards and Maximum Output

Characteristics Size	Safety Standards			max. Output (W)			
	Denki Yohin* UL, CSA	Europe's Class II		Flyback type (FB)		Feed forward type (FF)	
		IEC65	IEC950	20 kHz	100 kHz	20 kHz	100 kHz
FE28F-12	○	○	○	30	80	40	100
FE28F-12A	○	○	○	30	80	40	100
FE35F-16	○	○	—	40	100	48	120
FE42F-16	○	○	○	90	215	108	258
FE49F-20	○	○	○	150	260	180	320

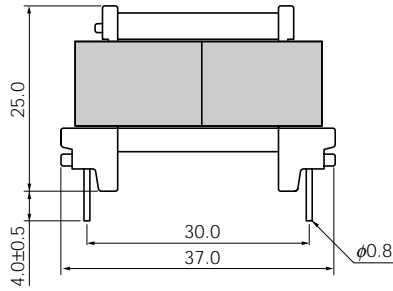
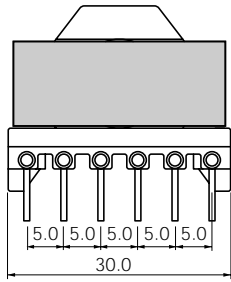
* Denki Yohin stands for the safety regulations under The Electrical Appliance and Material Control Law.

Note: Values in the table above are for reference and will vary depending on ambient temperature, number of output circuits, switching frequency, input voltage range, output range and others.

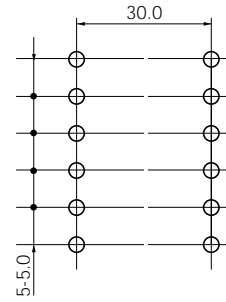
Design and specifications are each subject to change without notice. Ask factory for the current technical specifications before purchase and/or use. Should a safety concern arise regarding this product, please be sure to contact us immediately.

■ Dimensions in mm (not to scale)

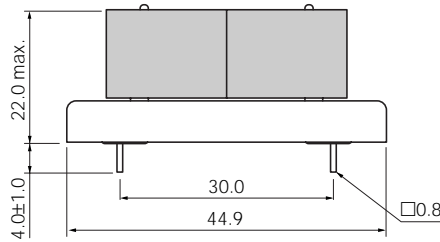
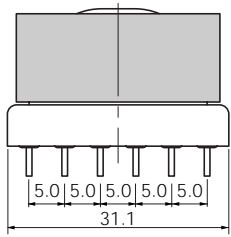
FE28F-12



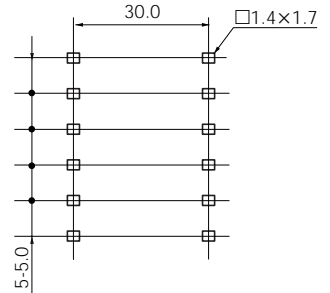
Recommended PWB piercing plan(Bottom View)



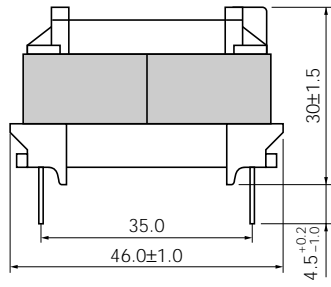
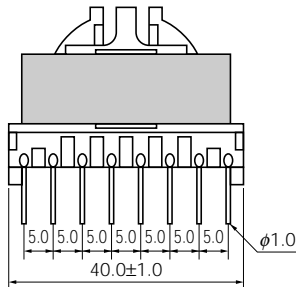
FE28F-12A



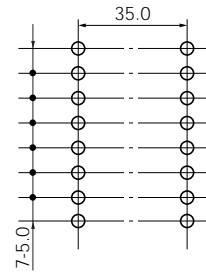
Recommended PWB piercing plan(Bottom View)



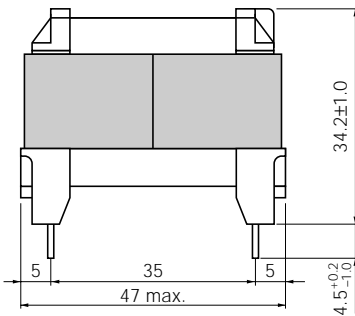
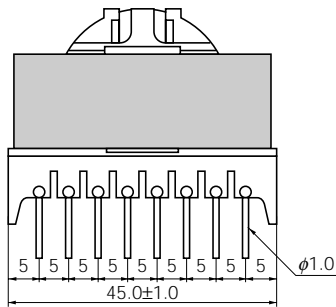
FE35F-16



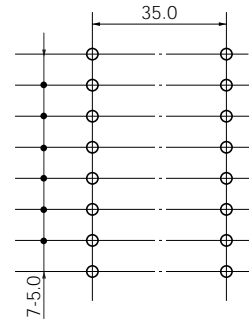
Recommended PWB piercing plan(Bottom View)



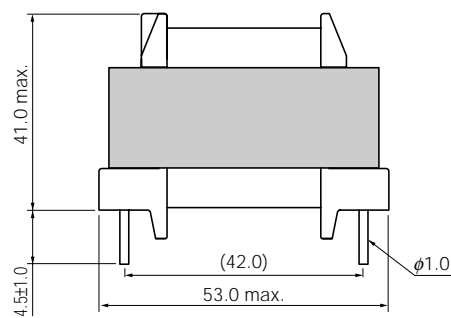
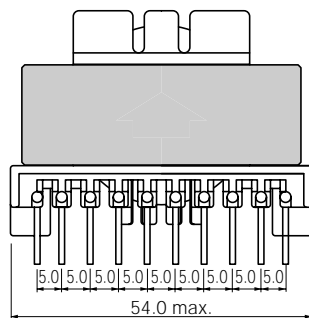
FE42F-16



Recommended PWB piercing plan(Bottom View)



FE49F-20



Recommended PWB piercing plan(Bottom View)

