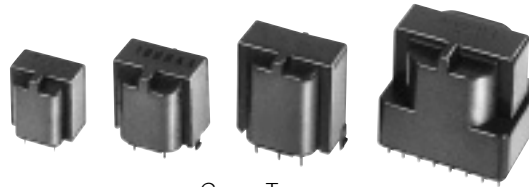


Switching Transformers

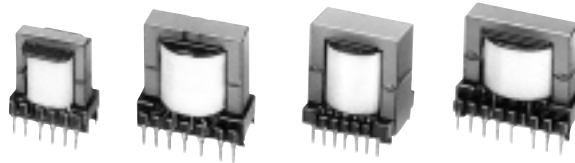
Japan
Singapore
Indonesia
China

Type: **Case Type**

Type: **Standard Type**



Case Type



Standard Type

Applied Safety Std.: Denki Yohin* UL, Europe's Class II
Industrial Property : Utility models 3 (pending)

■ Features

(Case Type)

- Easy mounting

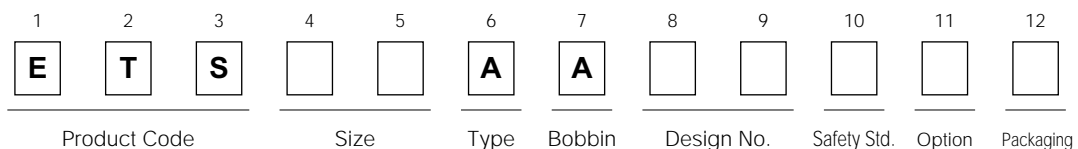
(Standard Type)

- Small mounting area
- The improved insulation between windings is accomplished by having wide winding widths
- UL1411 recognized types are available

■ Recommended Applications

- TVs, VTRs
- Stereos, Car-Stereos
- Copy Machines, FAX Machines, Power Supply Units

■ Explanation of Part Numbers



* Denki Yohin stands for the safety regulations under The Electrical Appliance and Material Control Law.

■ Performance Characteristics

● Applicable Safety Standards and Maximum Output

Type		Characteristics	Standards			Max. Output(W)			
			Denki Yohin*		Europe's Class II	Flyback Type (FB)		Feedforward Type (FF)	
			UL/CSA	IEC65	IEC950	20 kHz	100 kHz	20 kHz	100 kHz
Case Type	Size								
	FE13C-10	—	—	—	1.5	3	—	—	
Standard Type	FE16-10A	○	—	—	3	7	—	—	
	FE19-10A	○	—	—	5	10	—	—	
	FE19-10B	○	○	○	3	8	—	—	
	FE22-10	○	—	—	6	13	—	—	
	FE25-10	○	—	—	15	20	—	—	
	FE28-12	○	—	—	20	30	—	—	
	FE28-12A	○	○	○	25	50	—	—	
	FE28-16	○	○	○	20	40	25	50	
	FE28-20	○	○	○	20	40	27	60	
	FE29-18	○	○	○	25	60	30	75	
	FE29-18A	○	○	○	25	60	30	75	
	FE29-20	○	○	○	25	60	30	75	
	FE33-18	○	○	○	40	90	45	100	
	FE35-16	○	○	○	40	130	50	150	
	FE39-18	○	○	○	70	150	90	180	
	FE42-18	○	○	○	100	200	120	240	
	FE49-22	○	○	○	120	240	150	300	

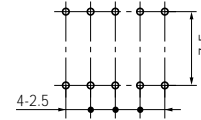
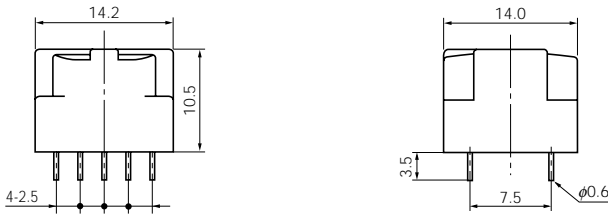
Note: Values in the table above are for reference and will vary depending on ambient temperature, number of output circuits, switching frequency, input voltage range, output range and others.

Design and specifications are each subject to change without notice. Ask factory for the current technical specifications before purchase and/or use. Should a safety concern arise regarding this product, please be sure to contact us immediately.

■ Dimensions in mm (not to scale)

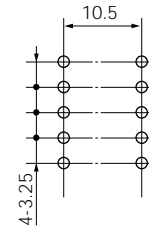
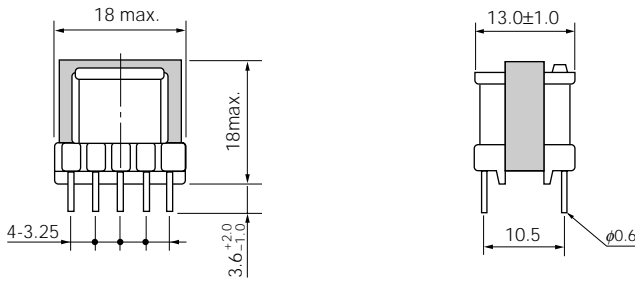
FE13C-10

Recommended PWB piercing plan



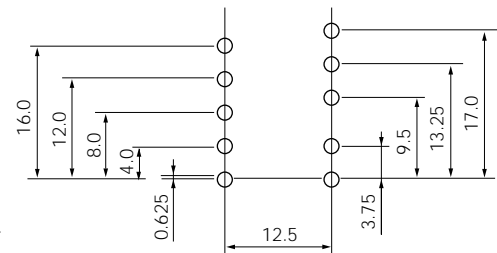
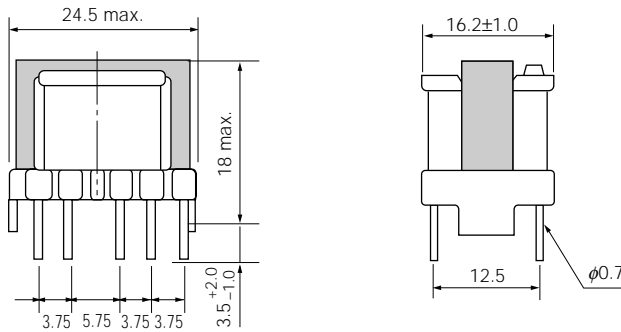
FE16-10A

Recommended PWB piercing plan



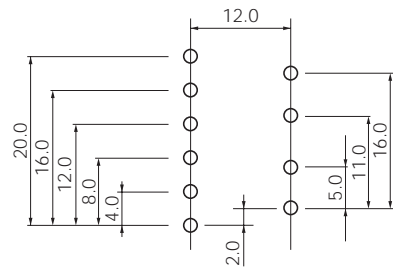
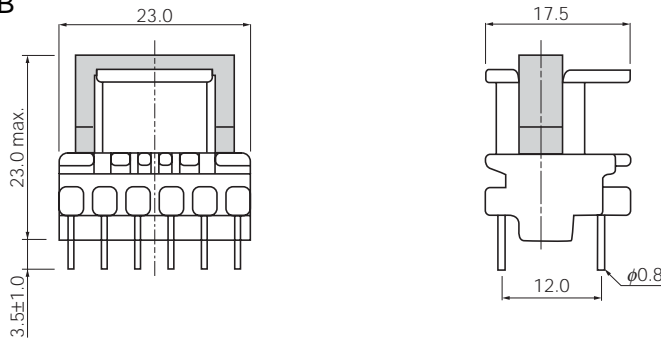
FE19-10A

Recommended PWB piercing plan



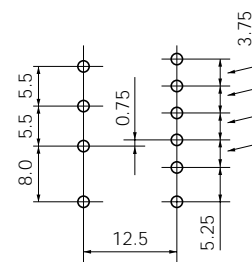
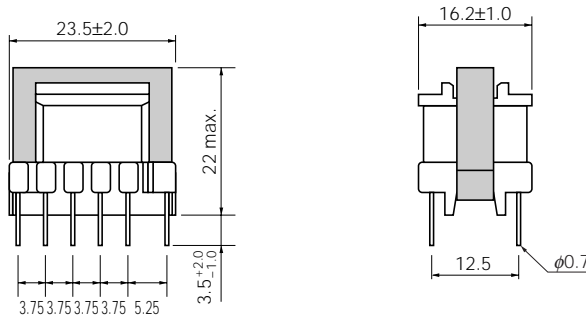
FE19-10B

Recommended PWB piercing plan



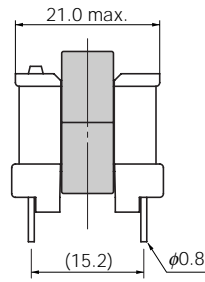
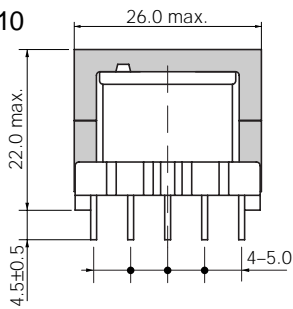
FE22-10

Recommended PWB piercing plan

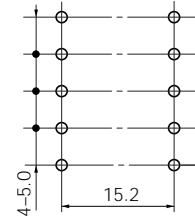


■ Dimensions in mm (not to scale)

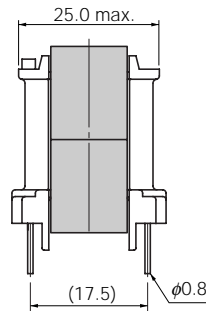
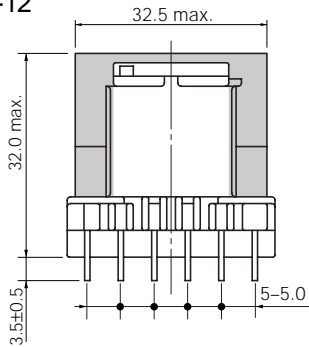
FE25-10



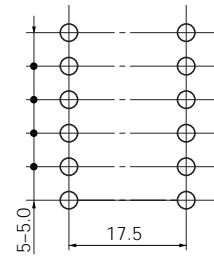
Recommended PWB piercing plan



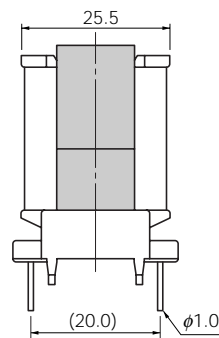
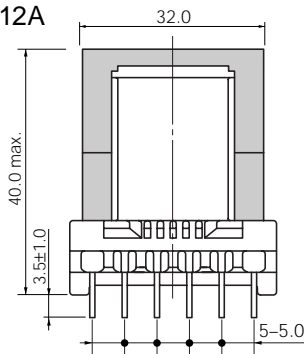
FE28-12



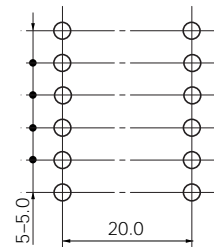
Recommended PWB piercing plan



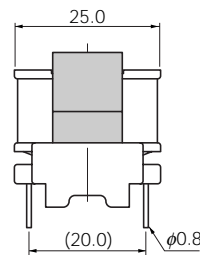
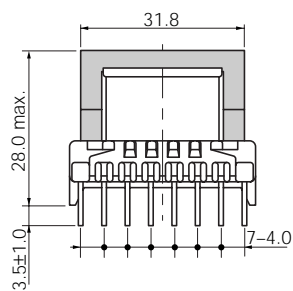
FE28-12A



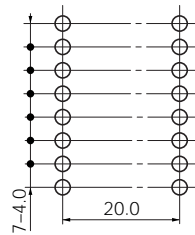
Recommended PWB piercing plan



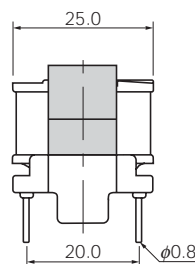
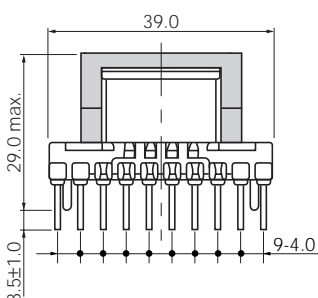
FE28-16



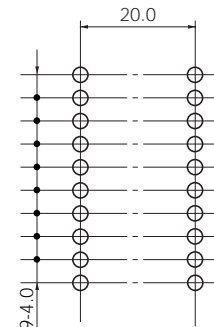
Recommended PWB piercing plan



FE28-20

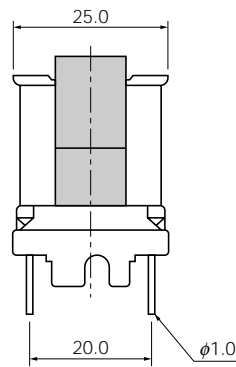
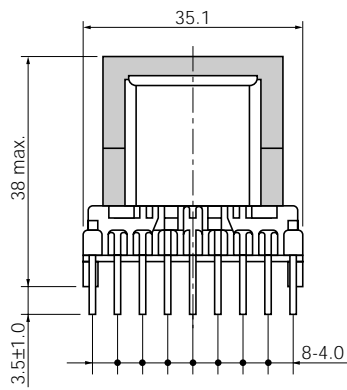


Recommended PWB piercing plan

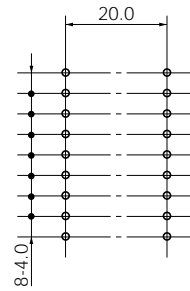


■ Dimensions in mm (not to scale)

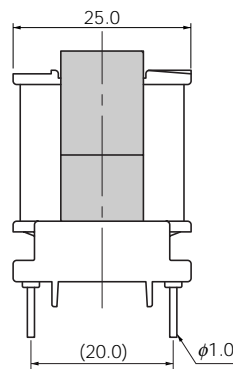
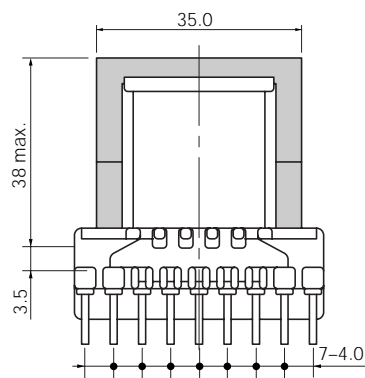
FE29-18



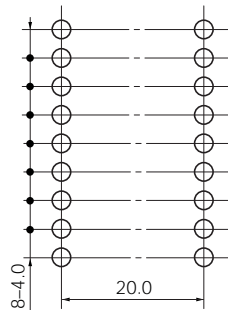
Recommended PWB piercing plan



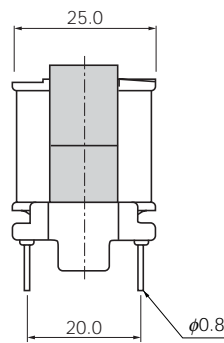
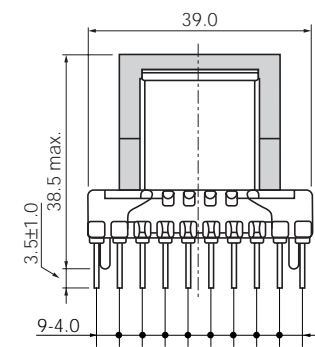
FE29-18A



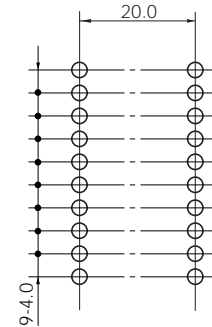
Recommended PWB piercing plan



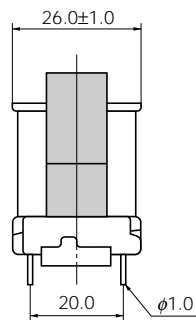
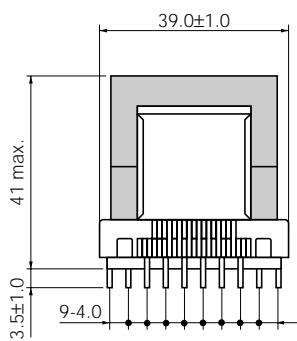
FE29-20



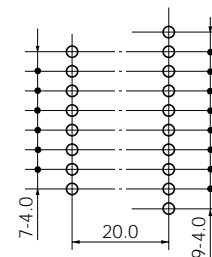
Recommended PWB piercing plan



FE33-18

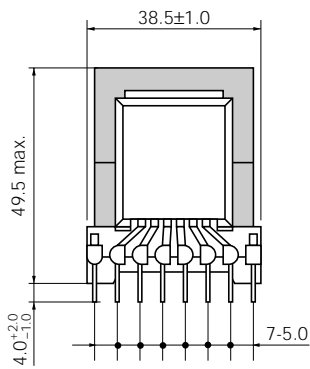


Recommended PWB piercing plan

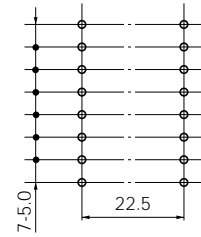


■ Dimensions in mm (not to scale)

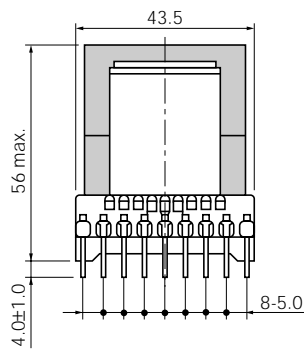
FE35-16



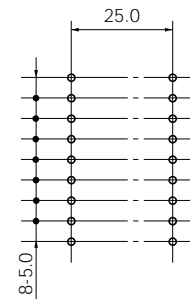
Recommended PWB piercing plan



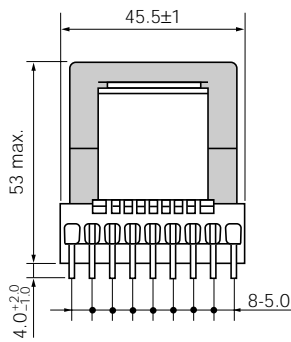
FE39-18



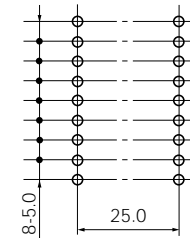
Recommended PWB piercing plan



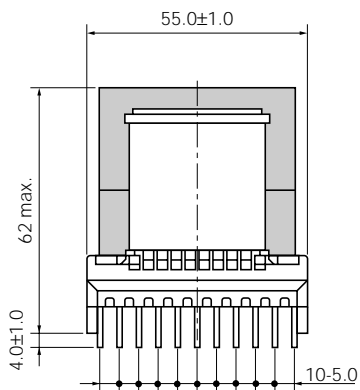
FE42-18



Recommended PWB piercing plan



FE49-22



Recommended PWB piercing plan

