

6.0 mm×3.5 mm Light Touch Switches

Type: **EVQPE**



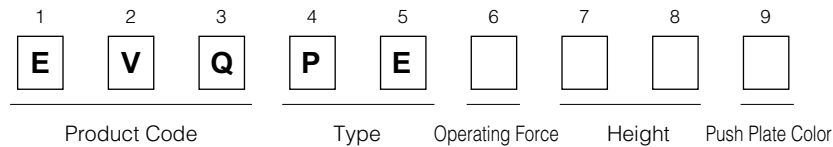
■ Features

- External dimensions : 6.0 mm×3.5 mm, Height 4.3 mm, 5.0 mm
- Wave soldering available

■ Recommended Applications

- Operating switches for other electronic equipment

■ Explanation of Part Numbers



■ Product Chart


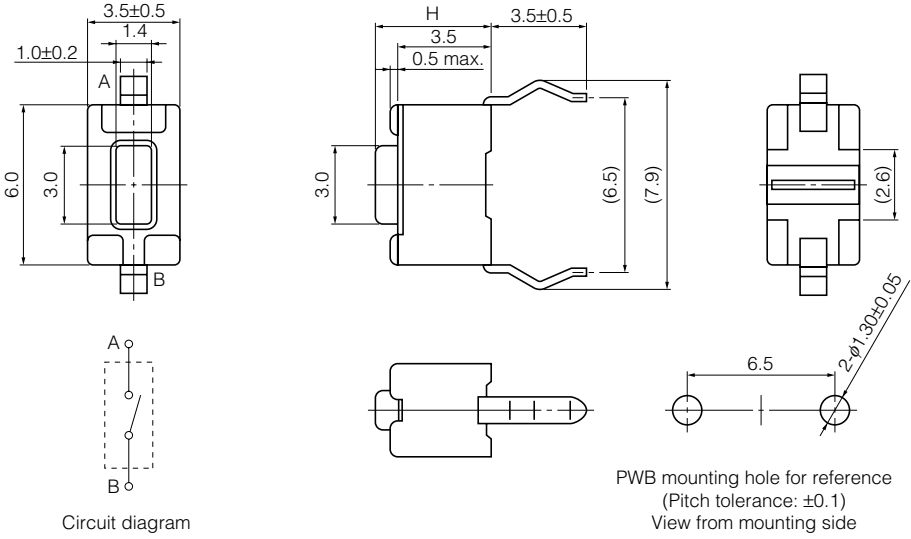
Operating Force \ Type	Bulk Type	Height
1.0 N±0.5 N	EVQPE4	H=4.3 mm H=5.0 mm
1.6 N±0.5 N	EVQPE5	
2.4 N±0.6 N	EVQPE6	

■ Specifications

Type	Snap action/Push-on type SPST				
Electrical	Circuit Diagram				
	Rating	10 μA 2 Vdc to 50 mA 12 Vdc (Resistive load)			
	Contact Resistance	100 mΩ max.			
	Insulation Resistance	100 MΩ min. (at 100 Vdc)			
	Dielectric Withstanding Voltage	250 Vac for 1 minute			
	Bouncing	10 ms max. (ON, OFF)			
Mechanical	Operating Force	<table border="1"> <tr> <td>1.0 N±0.5N (Low force type)</td> <td rowspan="2">2.4 N±0.6 N</td> </tr> <tr> <td>1.6 N±0.5 N (Standard)</td> </tr> </table>	1.0 N±0.5N (Low force type)	2.4 N±0.6 N	1.6 N±0.5 N (Standard)
	1.0 N±0.5N (Low force type)	2.4 N±0.6 N			
1.6 N±0.5 N (Standard)					
	Travel	0.25 mm ^{+0.20} / _{-0.10} mm			
Endurance	Operating Life	<table border="1"> <tr> <td>50000 cycles min.</td> <td>30000 cycles min.</td> </tr> </table>	50000 cycles min.	30000 cycles min.	
50000 cycles min.	30000 cycles min.				
Operating Temperature		-30 °C to +85 °C			
Storage Temperature		-40 °C to +85 °C (Bulk) -20 °C to +40 °C (Taping)			
Minimum Quantity/Packing Unit		1000 pcs. Polyethylene Bag (Bulk)			
Quantity/Carton		10000 pcs.			

Design and specifications are each subject to change without notice. Ask factory for the current technical specifications before purchase and/or use. Should a safety concern arise regarding this product, please be sure to contact us immediately.

■ Dimensions in mm (not to scale)

<p>EVQPE4 EVQPE5 EVQPE6</p> <p>(Bulk)</p> 				
<p>Part Numbers</p>	<p>Operating Force</p>	<p>H=Height</p>	<p>Push Plate Color</p>	<p>Operating Life</p>
<p>EVQPE404Q</p>	<p>1.0 N</p>	<p>4.3 mm</p>	<p>Grey</p>	<p>50000 cycles</p>
<p>EVQPE405Q</p>	<p>1.0 N</p>	<p>5.0 mm</p>	<p>Grey</p>	<p>50000 cycles</p>
<p>EVQPE504K</p>	<p>1.6 N</p>	<p>4.3 mm</p>	<p>Black</p>	<p>50000 cycles</p>
<p>EVQPE505K</p>	<p>1.6 N</p>	<p>5.0 mm</p>	<p>Black</p>	<p>50000 cycles</p>
<p>EVQPE604T</p>	<p>2.4 N</p>	<p>4.3 mm</p>	<p>Brown</p>	<p>30000 cycles</p>
<p>EVQPE605T</p>	<p>2.4 N</p>	<p>5.0 mm</p>	<p>Brown</p>	<p>30000 cycles</p>