

Panasonic Digital Terrestrial Mobile Tuner

Type : **CTMU15**

Part No : **ENT _ _ _ _ _ F**



■ Features

- High sensitivity and high interference exclusion
- Small, low-profile SMD tuner module with built-in OFDM
- Low supply voltage and low power consumption

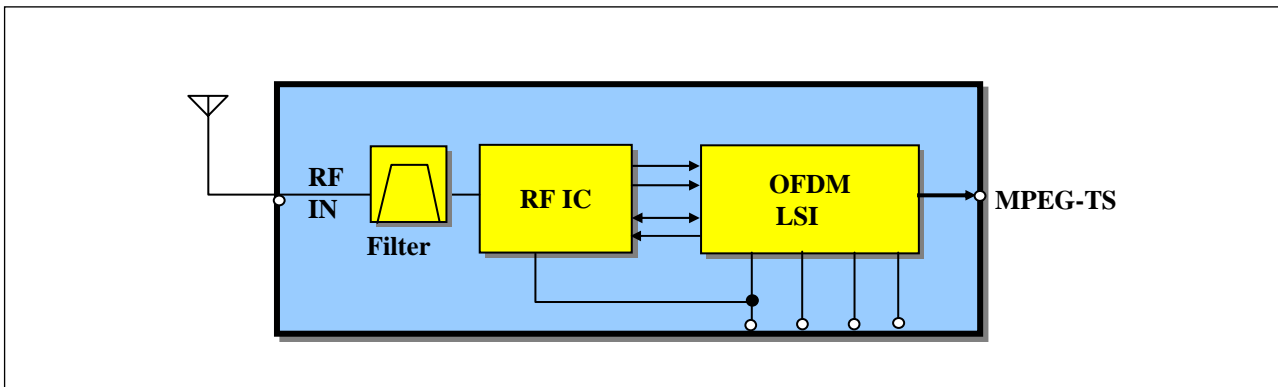
■ Recommended Applications

- Cellular Phones, Notebook PCs, PDAs, DSCs

■ Performance Specifications, Summary

Items	Specifications	Remarks
1. Destination	Digital Terrestrial Broadcasting (ISDB-T)	
2. Input Frequency	UHF ch. 13 ~ 62	
3. Transport Stream Output Signal	Series	
4. Transport Stream Output Level	CMOS level	
5. Decode / FEC System	ISDB-T Compliant	
6. Supply Voltage	DC1.2V/1.8V	
7. Current Consumption	53mW typ.	
8. Transmission Parameter		
Segment	1	
Mode	2, 3	
Guard Interval	Mode2 1/4, 1/8	Mode3 1/4, 1/8, 1/16
Encoding, Coding Rate	QPSK 1/2, 2/3	16QAM 1/2
Interleave	Mode2 2, 4, 8	Mode3 1,2,4
9. External Dimensions	6.0x 5.9 x 1.0mm	

■ Dimensions in mm (not to scale)



Design and specifications are each subject to change without notice. Ask factory for the current technical specifications before purchase and/or use. Should a safety concern arise regarding this product, please be sure to contact us immediately.