

# Panasonic Digital Terrestrial Tuner

Type : **ET-55DHR**

Part No : **ENV\_\_M\_\_**



## Features

- Receives both digital and analog broadcasting
- Supports global broadcasting systems
- Built in RF/IF 2 stage AGC and SAW filter
- High sensitivity and performance through use of an integrated IC and high frequency circuit

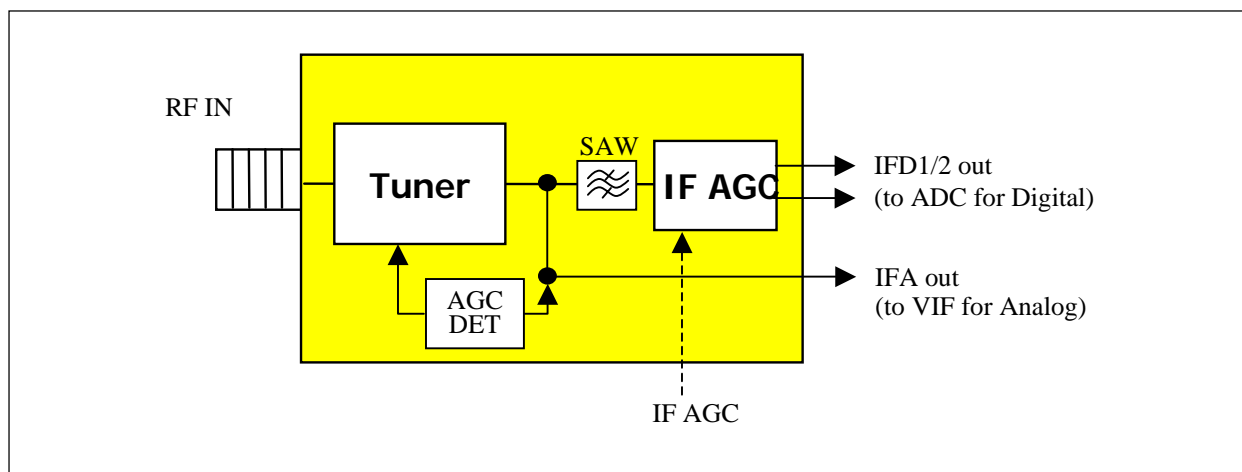
## Recommended Applications

- PDP, LCD, STB, DVD-R, VTR, PC

## ■ Performance Specifications, Summary

Items	JAPAN(ISDB-T)	USA(ATSC)	EUROPE(DVB-T)
1. Input Frequency	Ch1-12(90-222MHz) ChC23-C63(222-468MHz) Ch13-62(470-770MHz)	Ch2-B(54-132MHz) ChC-KK(132-366MHz) ChLL-135(366-864MHz)	Ch5-12(174-230MHz) Ch21-69(470-862MHz)
2. RF Input Impedance	75 Unbalanced	75 Unbalanced	75 Unbalanced
3. Output Center Frequency	57 MHz	44 MHz	36.167 MHz
4. IF Output Impedance	480 Balanced	480 Balanced	480 Balanced
5. Noise Figure	6.0dB typ.	6.0dB typ.	6.0dB typ.
6. Gain	90 dB typ.	90 dB typ.	90 dB typ.
7. Phase Noise	-80dBc/Hz typ. @1KHz -85dBc/Hz typ.@10KHz	-65dBc/Hz typ. @1KHz -85dBc/Hz typ.@10KHz	-80dBc/Hz typ. @1KHz -85dBc/Hz typ.@10KHz
8. Supply Voltage	+5V : 130mA typ. +30V : 1mA typ.	+5V : 120mA typ. +30V : 1mA typ.	+5V : 160mA typ. +30V : 1mA typ.
9. SAW Filter	6MHz	6MHz	7/8MHz
10. External Dimensions	50.0(W) × 13.4(D) × 38.0(H) mm		

## ■ Block Diagram



Design and specifications are each subject to change without notice. Ask factory for the current technical specifications before purchase and/or use. Should a safety concern arise regarding this product, please be sure to contact us immediately.