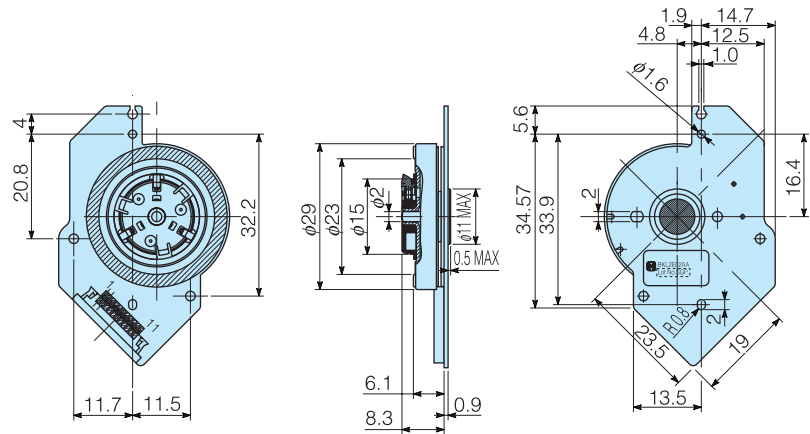


### Standard Dimensions(mm)



### Typical Data

Model	Working Voltage (V)	Rated Voltage (V)	No Load Speed (r/min)	No Load Current (mA)	Starting Torque		Starting Current (mA)	Note
					(gf·cm)	(mN·m)		
BWL2	4.5 to 5.5	5	11700	180	72	7.06	1900	

### Characteristics

