

TERMINAL DATA

Terminal Data of the medium-capacity (17 to 100Ah) battery

Model No.	Terminal thickness A (1)	Height from battery case top		Terminal width	Hole diameter	Hole Position			Bolt			Type of Terminal
		B1 (1)	B2 (2)			Distance from top: E1 (1)	Distance from top: E2 (2)	Distance from terminal top: E3 (2)	Diameter F1 (3)	Pitch	Length F2 (3)	

LC-R Series

LC-RD1217P	5.0 ± 0.3	1.0	—	11 ± 0.4	5.5 ± 0.3	6.5	—	5.5 ± 0.3	M5	P = 0.8	15 ± 1.0	M5 bolt and nut
LC-RD1217AP	—	1.7	—	—	—	—	—	—	M5	P = 0.8	9.8	M5 threaded post
LC-R1233P	6.0 ± 0.5	—	26.5 ± 1.5	16 ± 0.8	6.5 ± 0.4	—	19 ± 1.5	7.5 ± 0.4	M6	P = 1.0	20 ± 1.0	M6 bolt and nut

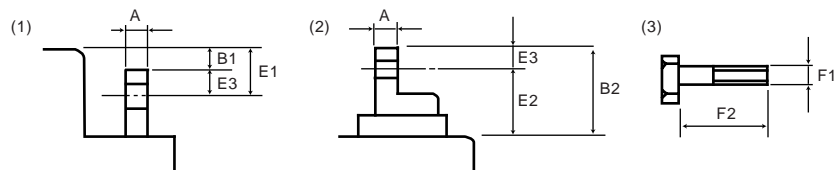
LC-X, P Series

LC-PD1217P	5.0 ± 0.3	1.0	—	11 ± 0.4	5.5 ± 0.3	6.5	—	5.5 ± 0.3	M5	P = 0.8	15 ± 1.0	M5 bolt and nut
LC-X1220P	5.0 ± 0.3	1.0	—	11 ± 0.4	5.5 ± 0.3	6.5	—	5.5 ± 0.3	M5	P = 0.8	15 ± 1.0	M5 bolt and nut
LC-X1220AP	—	1.7	—	—	—	—	—	—	M5	P = 0.8	9.8	M5 threaded post
LC-X1224AP	—	2.2 ± 1.0	9.8 ± 1.5	—	—	—	—	—	M5	P = 0.8	8.3 ± 1.0	M5 threaded post
LC-X1224P	8.0 ± 0.5	4.5	16.5 ± 1.5	16 ± 0.8	6.5 ± 0.4	—	9 ± 1.0	7.5 ± 0.4	M5	P = 0.8	15 ± 1.0	M5 bolt and nut
LC-X1228AP	—	2.2 ± 1.0	9.8 ± 1.5	—	—	—	—	—	M5	P = 0.8	8.3 ± 1.0	M5 threaded post
LC-X1228P	8.0 ± 0.5	4.5	16.5 ± 1.5	16 ± 0.8	6.5 ± 0.4	—	9 ± 1.0	7.5 ± 0.4	M5	P = 0.8	15 ± 1.0	M5 bolt and nut
LC-X1238AP	—	1.7 ± 1.0	9.8 ± 1.5	—	—	—	—	—	M5	P = 0.8	8.3 ± 1.0	M5 threaded post
LC-X1238P	8.0 ± 0.5	5.0	16.5 ± 1.5	16 ± 0.8	6.5 ± 0.4	—	9 ± 1.0	7.5 ± 0.4	M6	P = 1.0	20 ± 1.0	M6 bolt and nut
LC-X1242AP	—	1.7 ± 1.0	9.8 ± 1.5	—	—	—	—	—	M5	P = 0.8	8.3 ± 1.0	M5 threaded post
LC-X1242P	8.0 ± 0.5	5.0	16.5 ± 1.5	16 ± 0.8	6.5 ± 0.4	—	9 ± 1.0	7.5 ± 0.4	M6	P = 1.0	20 ± 1.0	M6 bolt and nut
LC-X1265P	7.0 ± 0.5	2.0 ± 1.0	18 ± 1.5	—	6.5 + 0.5-0.4	9.5 ± 1	—	7.5 ± 0.4	M6	P = 1.0	20 ± 1.0	M6 bolt and nut
LC-XA12100P	8.0 ± 0.5	—	24 ± 1.5	—	6.5 ± 0.4	—	14 ± 1.0	10 ± 0.4	M8	P = 1.25	20 ± 1.0	M8 bolt and nut

LC-XC Series

LC-XC1228AP	—	2.2 ± 1.0	9.8 ± 1.5	—	—	—	—	—	M5	P = 0.8	8.3 ± 1.0	M5 threaded post
LC-XC1238AP	—	1.7 ± 1.0	9.8 ± 1.5	—	—	—	—	—	M5	P = 0.8	8.3 ± 1.0	M5 threaded post

Bolt and Nut type (M5, M6, M8)



Notice to readers

The proposition has been launched in California that lead should be known as having bad effect for people's health (proposition65)

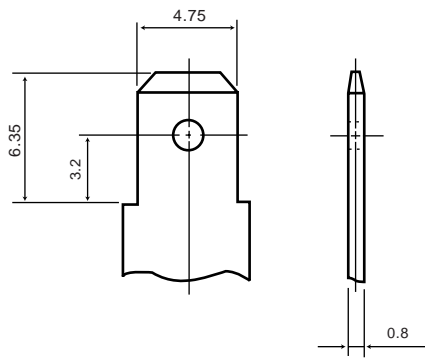
This indicates those batteries listed above due to the uncovered terminals made of lead.

When VRLAs are sold in California, it is necessary to put recommended label and material safety data sheet (MSDS) of every lot.

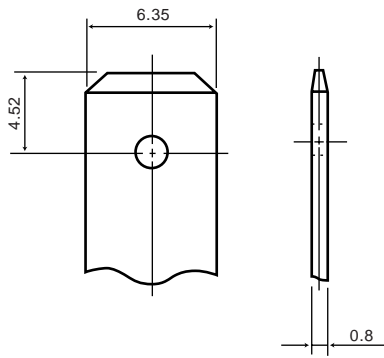
When selling the equipment, make sure to check the suffix of their model numbers and use the batteries destined for U.S.A.

Please see our web site (http://industrial.panasonic.com/ww/products_e/battery_e/battery_e.html) for getting PSDS(English only).

Faston tab type 187



Faston tab type 250



M5 threaded post type

