

## Performance & dimensions

Application: Low back pressure

Refrigerant: R600a (CH<sub>3</sub>CH(CH<sub>3</sub>)CH<sub>3</sub>)

Evaporator temp range: -35°C to -5 °C

<50Hz>

Rated voltage / Frequency	Model	ASHRAE				CECOMAF			Voltage range
		Capacity		COP - W/W		Capacity	COP - W/W		
		W	kcal/hr	RSIR	RSCR	W	RSIR	RSCR	
100V 50Hz/60Hz	SF65E62GA00	105	90	1.23	-	78	0.96	-	90V-110V
	SF65E60RA00	105	90	-	1.35	77	-	1.03	
	SF73E76GA00	119	102	1.20	-	88	0.93	-	
	SF73E76RA00	119	102	-	1.34	88	-	1.05	

<60Hz>

Rated voltage / Frequency	Model	ASHRAE				CECOMAF			Voltage range
		Capacity		COP - W/W		Capacity	COP - W/W		
		W	kcal/hr	RSIR	RSCR	W	RSIR	RSCR	
100V 50Hz/60Hz	SF65E62GA00	129	111	1.30	-	96	1.02	-	90V-110V
	SF65E60RA00	129	111	-	1.42	96	-	1.10	
	SF73E76GA00	143	123	1.29	-	107	1.01	-	
	SF73E76RA00	143	123	-	1.40	107	-	1.10	

Condition	ASHRAE	CECOMAF
Condensing temperature:	54.4 °C	55 °C
Evaporating temperature:	-23.3 °C	-25 °C
Gas superheated to:	32.2 °C	32 °C
Liquid subcooled to:	32.2 °C	55 °C
Ambient temperature:	32.2 °C	32 °C

Notes: All data covered by this catalogue are given as general information only.

Since we are constantly improving our products, as the specifications and availability are subject to change without notice

## Performance & dimensions

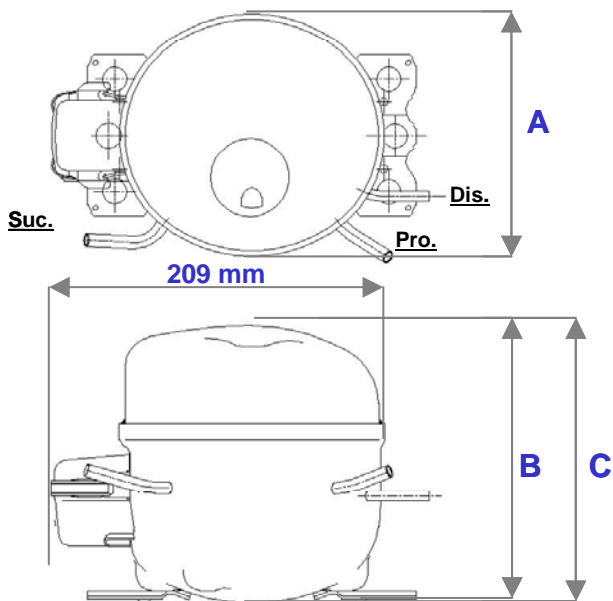
### Appearance - representative

Rated voltage / Frequency	Model		Dimension -mm			Mount	
	Name	Cooling type	A	B	C	Dia.-mm	Pitch-mm
100V 50Hz/60Hz	SF65E60RA00	ST	152	170.4	172.9	Ø16 * 4	70 * 170
	SF65E62GA00						
	SF73E76GA00						
	SF73E76RA00						

Note) Compressor cooling: ST = Static cooling, FC = Fan cooling, OC = Oil cooling

### Tube dimension - representative

Rated voltage / Frequency	ID / OD -mm				Location of Suction tube
	Dis.	Suc.	Pro.	Oil cooler	
100V 50/60Hz	4.9 / 7.0	6.54 / 7.94	6.54 / 7.94		Terminal side



**100V 50Hz/60Hz**

Notes: All data covered by this catalogue are given as general information only.

Since we are constantly improving our products, as the specifications and availability are subject to change without notice