

Performance & dimensions

Application: Low back pressure

Refrigerant: R600a (CH₃CH(CH₃)CH₃)

Evaporator temp range: -35°C to -5 °C

Rated voltage / Frequency	Model	ASHRAE				CECOMAF			Voltage range
		Capacity		COP - W/W		Capacity	COP - W/W		
		W	kcal/hr	RSIR	RSCR	W	RSIR	RSCR	
220V-240V 50Hz	DHS77E70RAW	129	111	-	1.64	94	-	1.27	187V-255V
	DHS86E86RAW	146	126	-	1.68	107	-	1.30	
	DHS91E89RAW	160	138	-	1.70	118	-	1.32	
	DHS100E99RAW	180	155	-	1.70	135	-	1.34	

Condition	ASHRAE	CECOMAF
Condensing temperature:	54.4 °C	55 °C
Evaporating temperature:	-23.3 °C	-25 °C
Gas superheated to:	32.2 °C	32 °C
Liquid subcooled to:	32.2 °C	55 °C
Ambient temperature:	32.2 °C	32 °C

Appearance - representative

Rated voltage / Frequency	Model		Dimension -mm			Mount	
	Name	Cooling type	A	B	C	Dia.-mm	Pitch-mm
220V-240V 50Hz	DHS77E70RAW	ST	185.4	200.4	206.4	Ø16 * 4	70 * 170
	DHS86E86RAW						
	DHS91E89RAW						
	DHS100E99RAW						

Note) Compressor cooling: ST = Static cooling, FC = Fan cooling, OC = Oil cooling

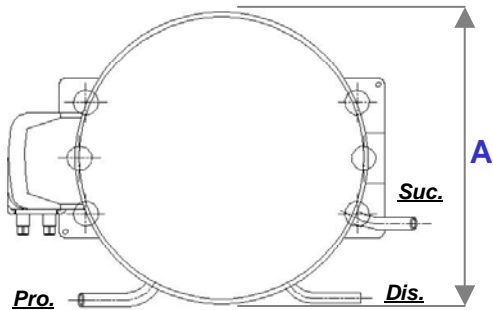
Tube dimension - representative

Rated voltage / Frequency	ID / OD -mm				Location of Suction tube
	Dis.	Suc.	Pro.	Oil cooler	
220V-240V 50Hz	5.1 / 7.0	6.1 / 7.94	6.1 / 7.94		Discharge tube side

Notes: All data covered by this catalogue are given as general information only.

Since we are constantly improving our products, as the specifications and availability are subject to change without notice

Performance & dimensions



220V-240V 50Hz
Terminal board

