

## Performance & dimensions

Application: Low back pressure

Refrigerant: R600a (CH<sub>3</sub>CH(CH<sub>3</sub>)CH<sub>3</sub>)

Evaporator temp range: -35°C to -5 °C

<50Hz>

Rated voltage / Frequency	Model	ASHRAE				CECOMAF			Voltage range
		Capacity		COP - W/W		Capacity	COP - W/W		
		W	kcal/hr	RSIR	RSCR	W	RSIR	RSCR	
100V 50Hz/60Hz	EUS60E60RAJ	99	85	-	1.50	74	-	1.15	90V-110V
	EUS91E10RAJ	160	138	-	1.54	120	-	1.20	
	EUS100E10RAJ	177	152	-	1.56	133	-	1.22	
220V-240V 50Hz	EUS60E55RAW	99	85	1.49	1.55	76	1.17	1.22	187V-255V
	EUS76E76RAW	133	115	1.52	1.61	101	1.20	1.27	198V-255V
	EUS86E88RAW	150	129	1.50	1.58	112	1.18	1.24	
	EUS91E88RAW	160	138	1.51	1.60	121	1.19	1.26	
	EUS100E94RAW	177	152	1.53	1.62	135	1.21	1.28	

<60Hz>

Rated voltage / Frequency	Model	ASHRAE				CECOMAF			Voltage range
		Capacity		COP - W/W		Capacity	COP - W/W		
		W	kcal/hr	RSIR	RSCR	W	RSIR	RSCR	
100V 50Hz/60Hz	EUS60E60RAJ	119	103	-	1.51	89	-	1.18	90V-110V
	EUS91E10RAJ	182	157	-	1.56	136	-	1.21	
	EUS100E10RAJ	205	177	-	1.58	153	-	1.23	

Condition	ASHRAE	CECOMAF
Condensing temperature:	54.4 °C	55 °C
Evaporating temperature:	-23.3 °C	-25 °C
Ambient temperature:	32.2 °C	32 °C
Gas superheated to:	32.2 °C	32 °C
Liquid subcooled to:	32.2 °C	55 °C
Ambient temperature:	32.2 °C	32°C

Notes: All data covered by this catalogue are given as general information only.

Since we are constantly improving our products, as the specifications and availability are subject to change without notice

## Performance & dimensions

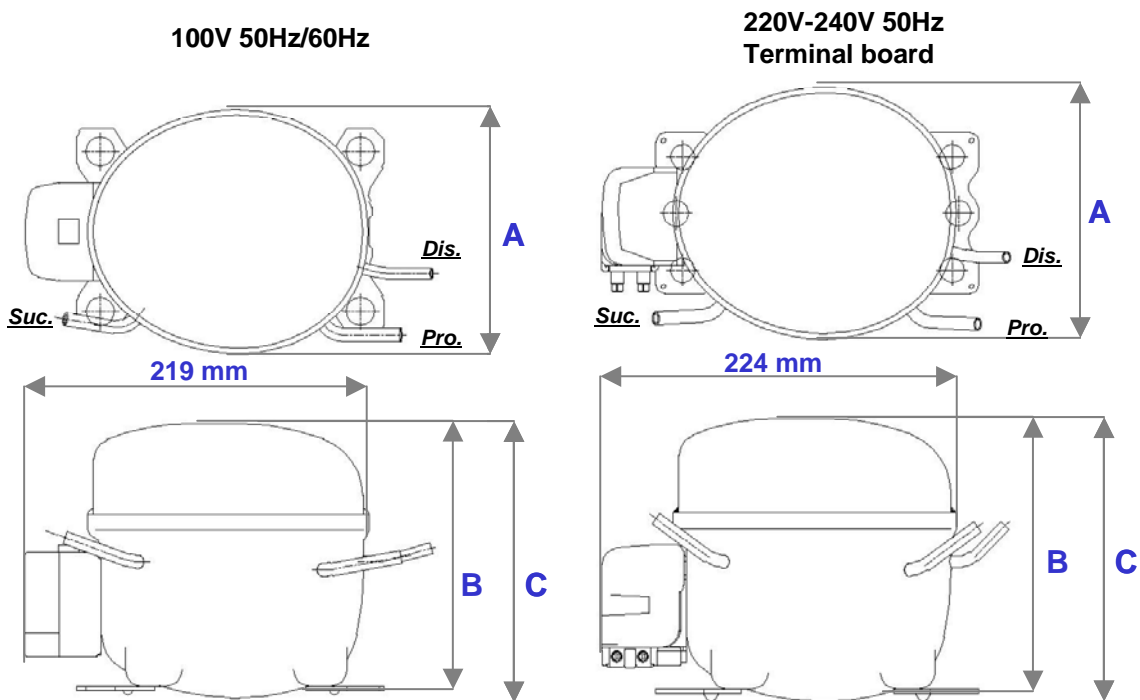
### Appearance - representative

Rated voltage / Frequency	Model		Dimension -mm			Mount	
	Name	Cooling type	A	B	C	Dia.-mm	Pitch-mm
100V 50Hz/60Hz	EUS60E60RAJ	ST	155.6	169.8	174.8	Ø19 * 4	101.6 * 165.1
	EUS91E10RAJ	FC					
	EUS100E10RAJ	FC					
220V-240V 50Hz	EUS60E55RAW	ST	155.6	169.9	174.8	Ø16 * 4	70 * 170
	EUS76E76RAW						
	EUS86E88RAW						
	EUS91E88RAW						
	EUS100E94RAW						

Note) Compressor cooling: ST = Static cooling, FC = Fan cooling, OC = Oil cooling

### Tube dimension - representative

Rated voltage / Frequency	ID / OD -mm				Location of Suction tube
	Dis.	Suc.	Pro.	Oil cooler	
100V 50Hz/60Hz	4.9 / 7.0	6.5 / 8.3	6.5 / 8.3		Terminal side
220V-240V 50Hz	5.1 / 7.0	6.1 / 7.94	6.1 / 7.94		Terminal side



Notes: All data covered by this catalogue are given as general information only.

Since we are constantly improving our products, as the specifications and availability are subject to change without notice