

Performance & dimensions

Application: Low back pressure
 Refrigerant: R600a (CH₃CH(CH₃)CH₃)
 Evaporator temp range: -35°C to -5 °C

<50Hz>

Rated voltage / Frequency	Model	ASHRAE				CECOMAF			Voltage range
		Capacity		COP - W/W		Capacity	COP - W/W		
		W	kcal/hr	RSIR	RSCR	W	RSIR	RSCR	
100V 50Hz/60Hz	ESS100E10RAJ	166	143	-	1.48	124	-	1.16	90V-110V
220V-240V 50Hz	ESS60E55RAW	95	82	1.44	1.48	71	1.13	1.17	187V-255V
	ESS76E74RAW	126	108	1.43	1.52	94	1.11	1.18	187-264V
	ESS100E94RAW	166	143	1.44	1.53	127	1.13	1.19	

<60Hz>

Rated voltage / Frequency	Model	ASHRAE				CECOMAF			Voltage range
		Capacity		COP - W/W		Capacity	COP - W/W		
		W	kcal/hr	RSIR	RSCR	W	RSIR	RSCR	
100V 50Hz/60Hz	ESS100E10RAJ	200	172	-	1.54	149	-	1.20	90V-110V

Condition	ASHRAE	CECOMAF
Condensing temperature:	54.4 °C	55 °C
Evaporating temperature:	-23.3 °C	-25 °C
Ambient temperature:	32.2 °C	32 °C
Gas superheated to:	32.2 °C	32 °C
Liquid subcooled to:	32.2 °C	55 °C

Notes: All data covered by this catalogue are given as general information only.
 Since we are constantly improving our products, as the specifications and availability are subject to change without notice

Performance & dimensions

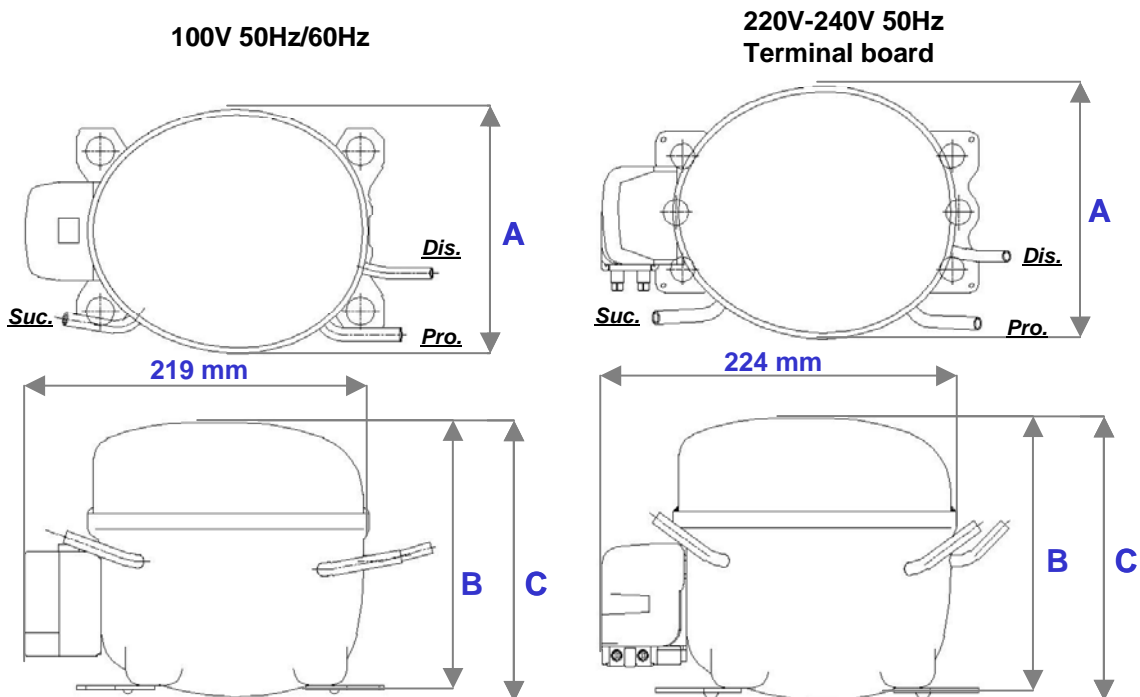
Appearance - representative

Rated voltage / Frequency	Model		Dimension -mm			Mount	
	Name	Cooling type	A	B	C	Dia.-mm	Pitch-mm
100V 50/60Hz	ESS100E10RAJ	FC	155.6	169.8	174.8	Ø19 * 4	101.6 * 165.1
220V-240V 50Hz	ESS60E55RAW	ST	155.6	169.9	174.8	Ø16 * 4	70 * 170
	ESS76E74RAW						
	ESS100E94RAW						

Note) Compressor cooling: ST = Static cooling, FC = Fan cooling, OC = Oil cooling

Tube dimension - representative

Rated voltage / Frequency	ID / OD -mm				Location of Suction tube
	Dis.	Suc.	Pro.	Oil cooler	
100V 50/60Hz	4.9 / 7.0	6.54 / 7.94	6.54 / 7.94		Terminal side
220V-240V 50Hz	5.1 / 7.0	6.1 / 7.94	6.1 / 7.94		Terminal side



Notes: All data covered by this catalogue are given as general information only.

Since we are constantly improving our products, as the specifications and availability are subject to change without notice