

Performance & dimensions

Application: Low back pressure

Refrigerant: R600a (CH₃CH(CH₃)CH₃)

Evaporator temp range: -35°C to -5 °C

Rated voltage / Frequency	Model	ASHRAE				CECOMAF			Voltage range
		Capacity		COP - W/W		Capacity	COP - W/W		
		W	kcal/hr	RSIR	RSCR	W	RSIR	RSCR	
220V 50Hz	DG91E10RAX5	152	131	-	1.58	112	-	1.22	187V-250V
220V-240V 50Hz	DG86E87RAW5	144	124	1.50	1.60	108	1.17	1.26	187V-255V
	DG91E87RAW5	152	131	1.53	1.64	114	1.20	1.29	198V-255V
	DG100E87RAW5	176	151	1.54	1.64	131	-	1.30	
	DG110E10RAW5	185	159	1.53	1.64	140	-	1.30	
	DG125E11RAW5	216	186	1.53	1.66	163	1.21	1.31	

Condition	ASHRAE	CECOMAF
Condensing temperature:	54.4 °C	55 °C
Evaporating temperature:	-23.3 °C	-25 °C
Gas superheated to:	32.2 °C	32 °C
Liquid subcooled to:	32.2 °C	55 °C
Ambient temperature:	32.2 °C	32 °C

Appearance - representative

Rated voltage / Frequency	Model		Dimension -mm			Mount	
	Name	Cooling type	A	B	C	Dia.-mm	Pitch-mm
220V 50Hz	DG91E10RAX5	ST	185.4	200.4	206.4	Ø16 * 4	70 * 170
220V-240V 50Hz	DG86E87RAW5	ST	185.4	200.4	206.4	Ø16 * 4	70 * 170
	DG91E87RAW5						
	DG100E87RAW5						
	DG110E10RAW5						
	DG125E11RAW5						

Note) Compressor cooling: ST = Static cooling, FC = Fan cooling, OC = Oil cooling

Tube dimension - representative

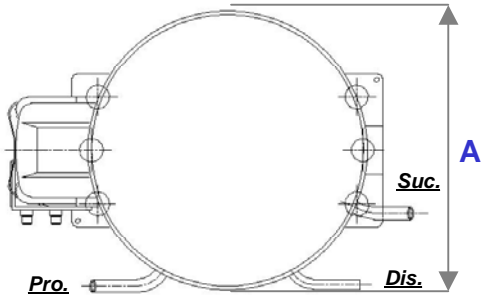
Rated voltage / Frequency	ID / OD -mm				Location of Suction tube
	Dis.	Suc.	Pro.	Oil cooler	
220V 50Hz	5.1 / 7.1	6.1 / 7.94	6.1 / 7.94		Discharge tube side
220V-240V 50Hz	5.1 / 7.1	6.1 / 7.94	6.1 / 7.94		

Notes: All data covered by this catalogue are given as general information only.

Since we are constantly improving our products, as the specifications and availability are subject to change without notice

Performance & dimensions

220-240V 50Hz
Terminal board



220V 50Hz
220-240V 50Hz
Terminal board

