

Performance & dimensions

Application: Low back pressure

Refrigerant: R600a (CH₃CH(CH₃)CH₃)

Evaporator temp range: -35°C to -5 °C

Rated voltage / Frequency	Model	ASHRAE				CECOMAF			Voltage range
		Capacity		COP - W/W		Capacity	COP - W/W		
		W	kcal/hr	RSIR	RSCR	W	RSIR	RSCR	
220V 50Hz	DAH86E86GAX	146	126	1.33	-	107	1.03	-	187V-242V
220V-240V 50Hz	DAH91E94GAW	160	138	1.40	-	118	1.08	-	187V-255V

Condition	ASHRAE	CECOMAF
Condensing temperature:	54.4 °C	55 °C
Evaporating temperature:	-23.3 °C	-25 °C
Gas superheated to:	32.2 °C	32 °C
Liquid subcooled to:	32.2 °C	55 °C
Ambient temperature:	32.2 °C	32 °C

Appearance - representative

Rated voltage / Frequency	Model		Dimension -mm			Mount	
	Name	Cooling type	A	B	C	Dia.-mm	Pitch-mm
220V 50Hz	DAH86E86GAX	ST	185.4	189.6	195.6	Ø16 * 4	70 * 170
220-240V 50Hz	DAH91E94GAW	ST	185.4	189.6	195.6	Ø16 * 4	70 * 170

Note) Compressor cooling: ST = Static cooling, FC = Fan cooling, OC = Oil cooling

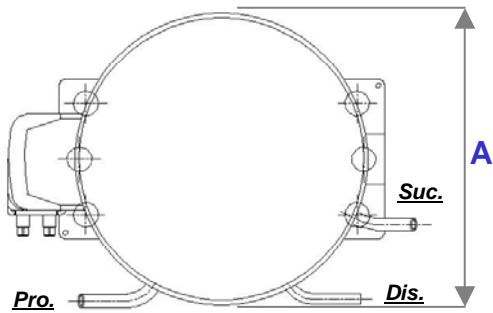
Tube dimension - representative

Rated voltage / Frequency	ID / OD -mm				Location of
	Dis.	Suc.	Pro.	Oil cooler	Suction tube
220V 50Hz	5.1 / 7.0	6.1 / 7.94	6.1 / 7.94		Discharge tube side
220-240V 50Hz	5.1 / 7.0	6.1 / 7.94	6.1 / 7.94		Discharge tube side

Notes: All data covered by this catalogue are given as general information only.

Since we are constantly improving our products, as the specifications and availability are subject to change without notice

Performance & dimensions



220V 50Hz
220V-240V 50Hz
Terminal board

