

# Omnidirectional Electret Condenser Microphone Cartridge

## WM-E13U

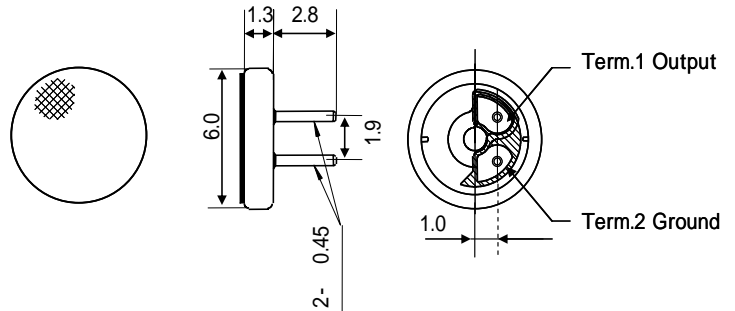
Pin type for connector connection or direct-in to PCB  
 Small and thin omnidirectional microphone  
 RFI protected for Multi band

### Appearance

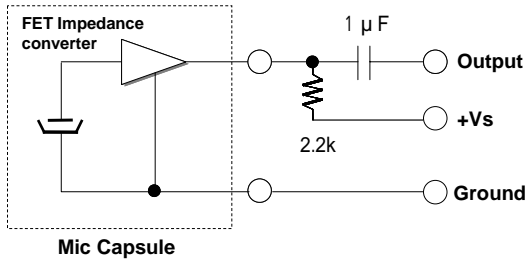


### Dimensional Drawing

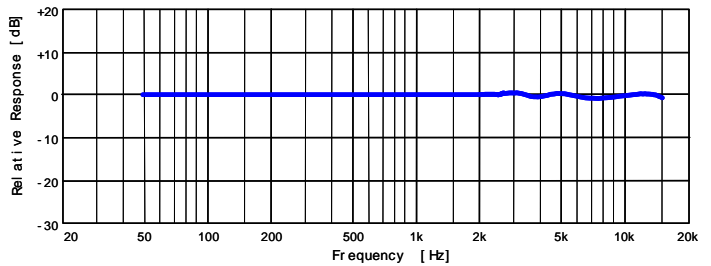
Unit : mm



### Schematic Diagram



### Typical Frequency Response Curve



### Sensitivity

(0dB=1V/Pa, 1kHz)

### Sensitivity

-44+/-3dB  
 -42+/-3dB

### Model No.

WM-E13UT  
 WM-E13UY

Vs=2.0V  
 RL=2.2k

### Specifications

Dimensions	6 x 1.3 mm
Impedance	Less than 2.2k
Directivity	Omnidirectional
Frequency	20-16,000Hz
Max operation voltage	10V
Standard operation voltage	2V
Current consumption	Max 0.5mA
Sensitivity reduction	Within -3dB at 1.5V
S/N ratio	More than 58dB

Specifications are subject to change without notice.