

Performance & dimensions

Application: Low back pressure

Refrigerant: R134a (CF₃CH₂F)

Evaporator temp range: -35°C to -5 °C

Rated voltage / Frequency	Model	ASHRAE								Voltage range
		50Hz				60Hz				
		Capacity		COP - W/W		Capacity		COP - W/W		
		W	kcal/hr	RSIR	RSCR	W	kcal/hr	RSIR	RSCR	
100V 50Hz/60Hz	DG51C90RA00	145	125	-	1.49	176	151	-	1.56	90V-110V
	DG57C96RA00	168	144	-	1.50	202	174	-	1.57	
110V 60Hz	DG57C12GAT6					202	174	1.42	-	88V-121V
	DG66C10RAT6					242	208	-	1.62	99V-121V
115V 60Hz	DG51C69RAU6					176	151	-	1.63	103V-127V
	DG51C72RAU6					176	151	-	1.61	
	DG57C84RAU6					202	174	-	1.64	
	DG66C10RAU6					242	208	-	1.68	
	DG73C12RAU6					279	240	-	1.68	
	DG86C15RAU6					325	280	-	1.67	
220V 50Hz	DG77C16GAX5	225	194	1.40	-					170V-250V
	DG91C21RAX5	259	223	1.40	1.46					
220V-240V 50Hz	DG51C89RAW5	145	125	-	1.53					187V-255V
	DG57C96RAW5	168	144	-	1.58					
	DG66C11RAW5	187	161	-	1.60					
	DG73C12RAW5	212	182	-	1.62					
	DG77C14RAW5	225	194	-	1.62					
	DG91C18RAW5	259	223	-	1.58					

Condition	ASHRAE	CECOMAF
Condensing temperature:	54.4 °C	55 °C
Evaporating temperature:	-23.3 °C	-25 °C
Gas superheated to:	32.2 °C	32 °C
Liquid subcooled to:	32.2 °C	55 °C
Ambient temperature:	32.2 °C	32 °C

Notes: All data covered by this catalogue are given as general information only.

Since we are constantly improving our products, as the specifications and availability are subject to change without notice

Performance & dimensions

Appearance - representative

Rated voltage / Frequency	Model		Dimension -mm			Mount	
	Name	Cooling type	A	B	C	Dia.-mm	Pitch-mm
100V 50Hz/60Hz	DG51C90RA00	ST	185.4	189.6	195.6	Ø16 * 4	70 * 170
	DG57C96RA00	ST					
110V 60Hz	DG57C12GAT6	ST	185.4	187.0	195.6	Ø16 * 4	70 * 170
	DG66C10RAT6	OC	185.4	203.8	212.4	Ø19 * 4	101.6 * 165.1
115V 60Hz	DG51C69RAU6	ST/FC	184.6	198.8	211.0	Ø19 * 4	101.6 * 165.1
	DG51C72RAU6	ST/FC					
	DG57C84RAU6	ST/FC					
	DG66C10RAU6	ST/FC					
	DG73C12RAU6	ST/FC					
220V 50Hz	DG77C16GAX5	OC	184.6	212.4	221	Ø16 * 4 Ø19 * 4	70 * 170 101.6 * 165.1
	DG91C21RAX5	OC					
220V-240V 50Hz	DG51C89RAW5	ST	185.4	187	195.6	Ø16 * 4 Ø19 * 4	70 * 170 101.6 * 165.1
	DG57C96RAW5	ST/FC	185.4	197.8	206.4		
	DG66C11RAW5	ST/FC					
	DG73C12RAW5	ST	185.4	206.8	215.4		
	DG77C14RAW5	ST					
	DG91C18RAW5	ST	185.4	203.8	212.4		
	DG73C12RAW5	OC					
DG77C14RAW5	OC	185.4	212.8	221.4			

Note) Compressor cooling: ST = Static cooling, FC = Fan cooling, OC = Oil cooling

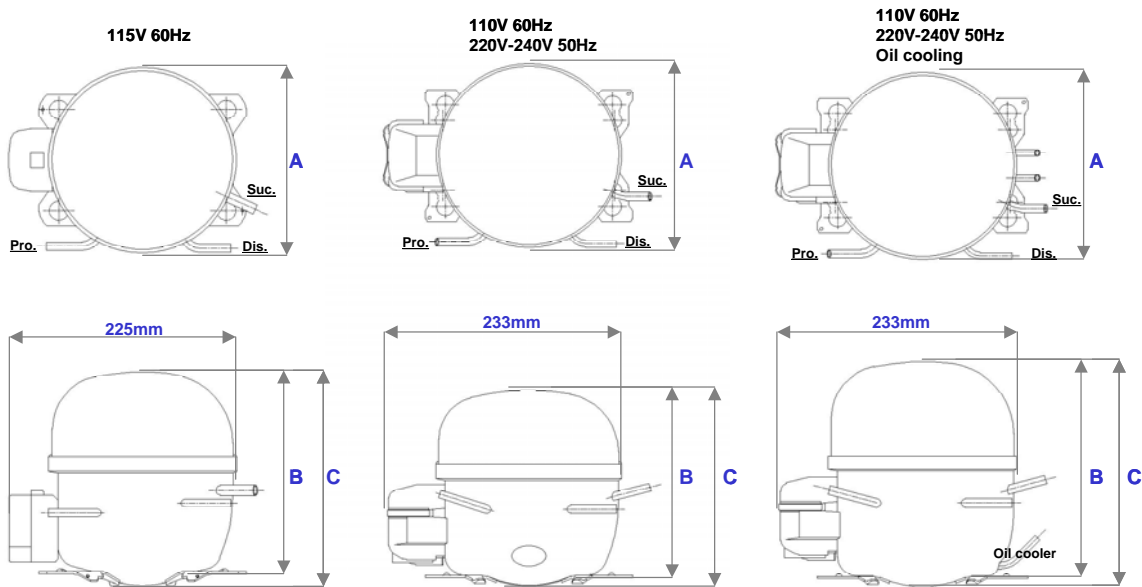
Tube dimension - representative

Rated voltage / Frequency	ID / OD -mm				Location of
	Dis.	Suc.	Pro.	Oil cooler	Suction tube
100V 50Hz/60Hz	4.9 / 7.0	6.5 / 8.3	6.5 / 8.3		Discharge tube side
110V 60Hz	4.9 / 7.0	6.5 / 8.3	6.5 / 8.3	4.9 / 7.0	
115V 60Hz	6.5 / 8.3	8.1 / 10	6.5 / 8.3		
220V-240V 50Hz	4.9 / 7.0	6.5 / 8.3	6.5 / 8.3	4.9 / 7.0	

Notes: All data covered by this catalogue are given as general information only.

Since we are constantly improving our products, as the specifications and availability are subject to change without notice

Performance & dimensions



Performance & dimensions