

Performance & dimensions

Application: Low back pressure

Refrigerant: R134a (CF₃CH₂F)

Evaporator temp range: -35°C to -5 °C

Rated voltage / Frequency	Model	ASHRAE				CECOMAF			Voltage range
		Capacity		COP - W/W		Capacity	COP - W/W		
		W	kcal/hr	RSIR	RSCR	W	RSIR	RSCR	
220V-240V 50Hz	EUS39C55RAW	102	88	-	1.48	74	-	1.14	198-255V
	EUS43C55RAW	120	103	-	1.52	87	-	1.16	
	EUS51C85RAW	146	126	-	1.56	107	-	1.20	

Condition	ASHRAE	CECOMAF
Condensing temperature:	54.4 °C	55 °C
Evaporating temperature:	-23.3 °C	-25 °C
Gas superheated to:	32.2 °C	32 °C
Liquid subcooled to:	32.2 °C	55 °C
Ambient temperature:	32.2 °C	32 °C

Appearance - representative

Rated voltage / Frequency	Model		Dimension -mm			Mount	
	Name	Cooling type	A	B	C	Dia.-mm	Pitch-mm
220V-240V 50Hz	EUS39C55RAW	ST	155.6	169.8	174.8	Ø16 * 4	70 * 170
	EUS43C55RAW						
	EUS51C85RAW						

Note) Compressor cooling: ST = Static cooling, FC = Fan cooling, OC = Oil cooling

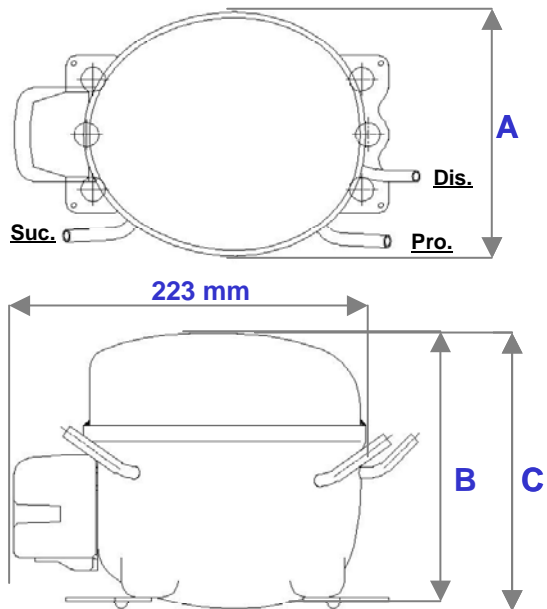
Tube dimension - representative

Rated voltage / Frequency	ID / OD -mm				Location of
	Dis.	Suc.	Pro.	Oil cooler	Suction tube
220V-240V 50Hz	4.9 / 7.0	6.5 / 8.3	6.5 / 8.3		Terminal side

Notes: All data covered by this catalogue are given as general information only.

Since we are constantly improving our products, as the specifications and availability are subject to change without notice

Performance & dimensions



220V-240V 50Hz