

## Performance &amp; dimensions

Application: Low back pressure

Refrigerant: R134a (CF<sub>3</sub>CH<sub>2</sub>F)

Evaporator temp range: -35°C to -5 °C

Rated voltage / Frequency	Model	ASHRAE								Voltage range
		50Hz				60Hz				
		Capacity		COP - W/W		Capacity		COP - W/W		
		W	kcal/hr	RSIR	RSCR	W	kcal/hr	RSIR	RSCR	
100V 50Hz/60Hz	SB24C50GA00	37	32	0.60	-	45	39	0.70	-	90V-110V
	SB30C56GA00	60	52	0.82	-	72	62	0.91	-	
	SB35C66GA00	76	65	0.84	-	88	76	0.95	-	
	SB39C76GA00	81	70	0.91	-	99	85	1.00	-	
	SB43C86GA00	95	82	0.98	-	120	103	1.11	-	
	SB43C90RA00	95	82	-	1.06	120	103	-	1.17	
	SB48C97RA00	110	95	-	1.06	133	114	-	1.15	
110V 60Hz	SB51C12RA00	125	108	-	1.03	148	127	-	1.15	99V-121V
	SB30C55GAT6					72	62	0.83	-	
115V 60Hz	SB48C90RAT6					133	114	-	1.22	103V-127V
	SB24C50GAU6					45	39	0.80	-	
	SB30C50GAU6					72	62	0.93	-	
	SB35C65GAU6					88	76	1.05	-	
	SB43C75GAU6					120	103	1.09	-	
	SB43C77RAU6					120	103	-	1.14	
	SB48C90RAU6					133	114	-	1.17	
SB51C90RAU6					142	122	-	1.17		
220V 50Hz	SB48C12GAX5	110	95	1.06	-					170V-250V
220V 50Hz/60Hz	SB30C70GAX0	60	52	0.88	-	72	62	0.97	-	170V-250V 50Hz 198V-242V 60Hz
	SB35C80GAX0	76	65	1.02	-	88	76	1.06	-	
	SB43C10GAX0	95	82	1.04	-	120	103	1.11	-	
220V 60Hz	SB30C65GAX6	-	-	-	-	72	62	0.95	-	170V-250V
	SB35C70GAX6	-	-	-	-	88	76	1.00	-	
220V-240V 50Hz	SB24C50GAW5	37	32	0.71	-					198V-264V
	SB30C50GAW5	60	52	0.81	-					
	SB35C65GAW5	76	65	0.96	-					
	SB43C80GAW5	95	82	1.03	-					
	SB48C95GAW5	110	95	1.03	-					
230V-240V 50Hz	SB35C67RAY5	76	65	0.99	1.06					207V-255V
	SB43C90RAY5	95	82	1.02	1.09					207V-264V
	SB48C10RAY5	108	93	1.01	1.07					

Notes: All data covered by this catalogue are given as general information only.

Since we are constantly improving our products, as the specifications and availability are subject to change without notice

## Performance & dimensions

Condition	ASHRAE
Condensing temperature:	54.4 °C
Evaporating temperature:	-23.3 °C
Gas superheated to:	32.2 °C
Liquid subcooled to:	32.2 °C
Ambient temperature:	32.2 °C

## Performance &amp; dimensions

## Appearance - representative

Rated voltage / Frequency	Model		Dimension -mm			Mount	
	Name	Cooling type	A	B	C	Dia.-mm	Pitch-mm
100V 50Hz/60Hz	SB24C50GA00	ST	149.8	159.3	161.8	Ø16 * 4 Ø19 * 4	70*170 101.6*165.1
	SB30C56GA00	ST					
	SB35C66GA00	ST					
	SB39C76GA00	ST	149.8	169.3	171.8		
	SB43C86GA00	ST					
	SB43C90RA00	ST					
	SB48C97RA00	ST					
	SB51C12RA00	ST					
110V 60Hz	SB30C55GAT6	ST	149.8	159.3	161.8	Ø16 * 4 Ø19 * 4	70*170 101.6*165.1
	SB48C90RAT6	ST	151.2	170	172.5		
115V 60Hz	SB24C50GAU6	ST	149.8	159.3	161.8	Ø16 * 4 Ø19 * 4	70*170 101.6*165.1
	SB30C50GAU6	ST					
	SB35C65GAU6	ST					
	SB43C75GAU6	ST	149.8	169.3	171.8		
	SB43C77RAU6	ST					
	SB48C90RAU6	ST					
	SB51C90RAU6	ST					
220V 50Hz	SB48C12GAX5	ST	149.8	169.3	171.8	Ø16 * 4 Ø19 * 4	70*170 101.6*165.1
220V 50Hz/60Hz	SB30C70GAX0	ST	149.8	159.3	161.8	Ø16 * 4 Ø19 * 4	70*170 101.6*165.1
	SB35C80GAX0	ST	149.8	169.3	171.8		
	SB43C10GAX0	ST					
220V 60Hz	SB30C65GAX6	ST	149.8	159.3	161.8	Ø16 * 4 Ø19 * 4	70*170 101.6*165.1
	SB35C70GAX6	ST	149.8	164.3	166.8		
220V-240V 50Hz	SB24C50GAW5	ST	149.8	159.3	161.8	Ø16 * 4 Ø19 * 4	70*170 101.6*165.1
	SB30C50GAW5	ST					
	SB35C65GAW5	ST					
	SB43C80GAW5	ST	149.8	169.3	171.8		
	SB48C95GAW5	ST					
230V-240V 50Hz	SB35C67RAY5	ST	149.8	159.3	161.8	Ø16 * 4 Ø19 * 4	70*170 101.6*165.1
	SB43C90RAY5	ST	149.8	169.3	171.8		
	SB48C10RAY5	ST					

Note) Compressor cooling: ST = Static cooling, FC = Fan cooling, OC = Oil cooling

Notes: All data covered by this catalogue are given as general information only.

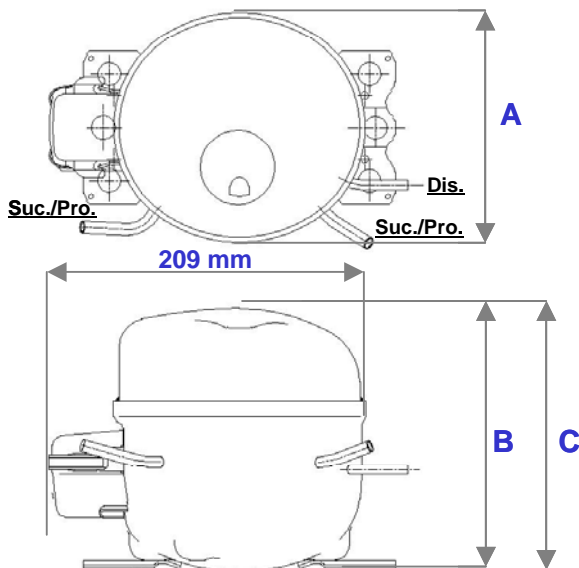
Since we are constantly improving our products, as the specifications and availability are subject to change without notice

## Performance & dimensions

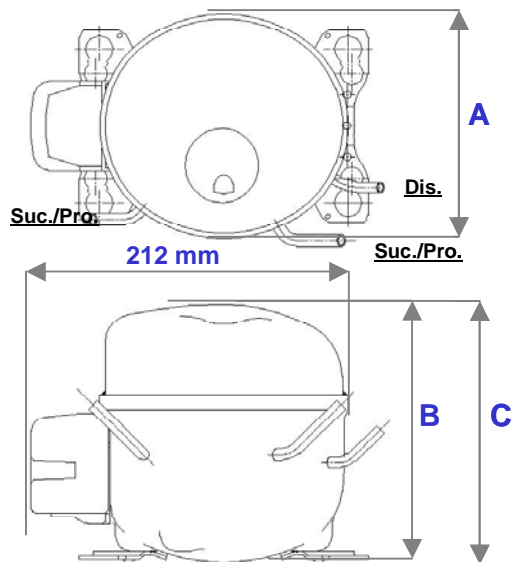
### Tube dimension - representative

Rated voltage / Frequency	ID / OD -mm				Location of Suction tube
	Dis.	Suc.	Pro.	Oil cooler	
100V 50Hz/60Hz	4.9 / 7.0	6.54 / 7.94	6.54 / 7.94		Either side
110V 60Hz					
115V 60Hz					
220V 50Hz					
220V 50Hz/60Hz					
220V 60Hz					
220V-240V 50Hz					
230V-240V 50Hz					

**100V 50Hz/60Hz**



**110V 60Hz, 115V 60Hz  
220V 50Hz, 220V 50Hz/60Hz  
220V 60Hz, 220V-240V 50Hz  
230V-240V 50Hz**



Notes: All data covered by this catalogue are given as general information only.

Since we are constantly improving our products, as the specifications and availability are subject to change without notice