

## Performance & dimensions

Application: Low back pressure

Refrigerant: R134a (CF<sub>3</sub>CH<sub>2</sub>F)

Evaporator temp range: -35°C to -5 °C

Rated voltage / Frequency	Model	ASHRAE								Voltage range
		50Hz				60Hz				
		Capacity		COP - W/W		Capacity		COP - W/W		
		W	kcal/hr	RSIR	RSCR	W	kcal/hr	RSIR	RSCR	
100V 50Hz/60Hz	SF39C60RA00	107	92	-	1.36	129	111	-	1.44	90V-110V
	SF43C76RA00	121	104	-	1.36	145	125	-	1.44	
115V 60Hz	SF39C67RAU6					129	111	-	1.44	103V-127V
	SF43C72RAU6					145	125	-	1.44	
	SF51C97RAU6					176	151	-	1.44	
220V 60Hz	SF43C10RAX6					147	126	-	1.32	170V-250V
220V 50Hz	SF48C10RAX5	139	120	-	1.36					170V-250V
	SF51C10RAX5	148	127	-	1.38					
220V-240V 50Hz	SF39C60RAW5	105	90	-	1.38					198V-264V
	SF43C83RAW5	121	104	-	1.38					
	SF48C91RAW5	138	119	-	1.39					
	SF51C91RAW5	148	127	-	1.38					

Condition	ASHRAE
Condensing temperature:	54.4 °C
Evaporating temperature:	-23.3 °C
Gas superheated to:	32.2 °C
Liquid subcooled to:	32.2 °C
Ambient temperature:	32.2 °C

Notes: All data covered by this catalogue are given as general information only.

Since we are constantly improving our products, as the specifications and availability are subject to change without notice

## Performance &amp; dimensions

## Appearance - representative

Rated voltage / Frequency	Model		Dimension -mm			Mount	
	Name	Cooling type	A	B	C	Dia.-mm	Pitch-mm
100V 50Hz/60Hz	SF39C60RA00	ST	151.2	170	172.5	Ø16 * 4	70 * 170
	SF43C76RA00					Ø19 * 4	101.6 * 165.1
115V 60Hz	SF39C67RAU6	ST	151.2	170	172.5	Ø16 * 4	70 * 170
	SF43C72RAU6					Ø19 * 4	101.6 * 165.1
	SF51C97RAU6						
220V 60Hz	SF43C10RAX6	ST	151.2	170	172.5	Ø16 * 4 Ø19 * 4	70 * 170 101.6 * 165.1
220V 50Hz	SF48C10RAX5	ST	151.2	170	172.5	Ø16 * 4	70 * 170
	SF51C10RAX5					Ø19 * 4	101.6 * 165.1
220V-240V 50Hz	SF39C60RAW5	ST	151.2	170	172.5	Ø16 * 4	70 * 170
	SF43C83RAW5					Ø19 * 4	101.6 * 165.1
	SF48C91RAW5						
	SF51C91RAW5						

Note) Compressor cooling: ST = Static cooling, FC = Fan cooling, OC = Oil cooling

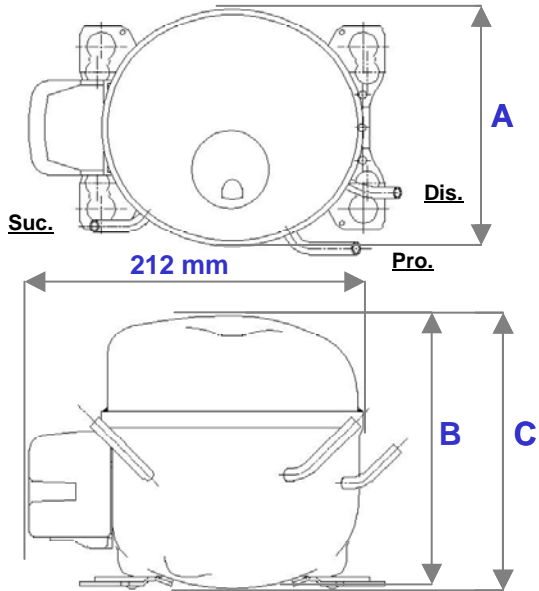
## Tube dimension - representative

Rated voltage / Frequency	ID / OD -mm				Location of Suction tube
	Dis.	Suc.	Pro.	Oil cooler	
100V 50Hz/60Hz	4.9 / 7.0	6.5 / 8.3	6.5 / 8.3		Terminal side
115V 60Hz					
220V 50Hz					
220V-240V 50Hz					

Notes: All data covered by this catalogue are given as general information only.

Since we are constantly improving our products, as the specifications and availability are subject to change without notice

## Performance & dimensions



100V 50Hz/60Hz  
115V 60Hz  
220V 50Hz  
220V-240V 50Hz

**Performance & dimensions**