

Performance & dimensions

Application: Low back pressure

Refrigerant: R134a (CF₃CH₂F)

Evaporator temp range: -35°C to -5 °C

Rated voltage / Frequency	Model	ASHRAE								Voltage range
		50Hz				60Hz				
		Capacity		COP - W/W		Capacity		COP - W/W		
		W	kcal/hr	RSIR	RSCR	W	kcal/hr	RSIR	RSCR	
115V 60Hz	DHS51C73RAU					188	162	-	1.67	103V-127V
	DHS57C85RAU					212	182	-	1.69	
	DHS66C10RBU					238	205	-	1.71	
	DHS73C12RBU					270	232	-	1.72	
220V-240V 50Hz	DHS73C10RAW	210	181	-	1.71 * 1.69					198V-255V
	DHS77C13RAW	222	191	-	1.68 * 1.66					

Condition ASHRAE

Condensing temperature: 54.4 °C

Evaporating temperature: -23.3 °C

Gas superheated to: 32.2 °C

Liquid subcooled to: 32.2 °C

Ambient temperature: 32.2 °C

* : With a Eco-Relay

Appearance - representative

Rated voltage / Frequency	Model		Dimension -mm			Mount	
	Name	Cooling type	A	B	C	Dia.-mm	Pitch-mm
115V 60Hz	DHS	FC	185.4	199.6	211.8	Ø19 * 4	101.6 * 165.1
220V-240V 50Hz	DHS	Static	185.4	197.8	206.4	Ø16 * 4	70 * 170
						Ø19 * 4	101.6 * 165.1

Note) Compressor cooling: ST = Static cooling, FC = Fan cooling, OC = Oil cooling

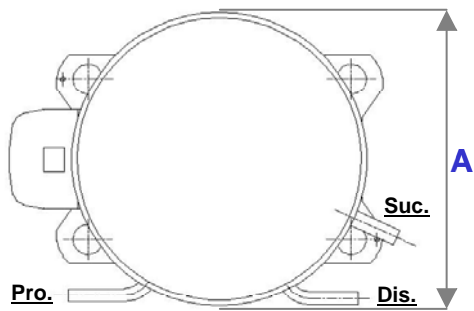
Tube dimension - representative

Rated voltage / Frequency	ID / OD -mm				Location of Suction tube
	Dis.	Suc.	Pro.	Oil cooler	
115V 60Hz	6.5 / 8.3	8.1 / 10	6.5 / 8.3		Discharge tube side
220V-240V 50Hz	4.9 / 7.0	6.5 / 8.3	6.5 / 7.94		Discharge tube side

Notes: All data covered by this catalogue are given as general information only.

Since we are constantly improving our products, as the specifications and availability are subject to change without notice

Performance & dimensions



115V 60Hz

