

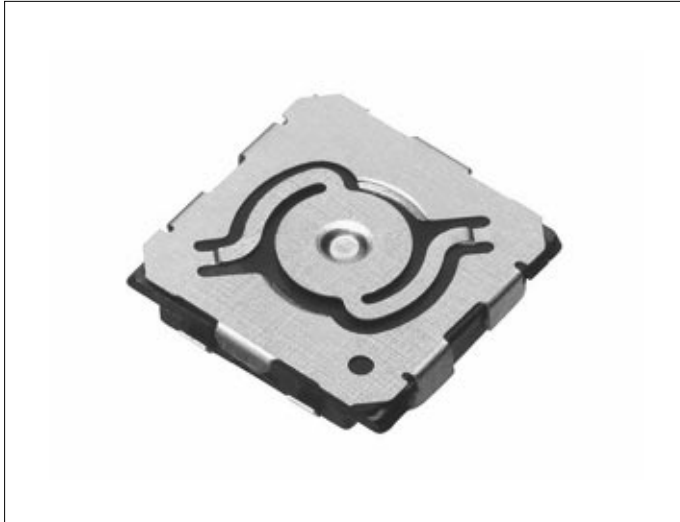
*Using breakthrough technology,
we aim for products that will create new markets.*

New Product News

Wide range of products

*Note 1

The industry's first low-profile double action switch with a push plate



Switch

Thin Double-action Light Touch Switches (with a push plate)

Industry/Field: Optical equipment and AV equipment

• Development Target:

Development of a double-action light-touch switch with a push plate for high operability, featuring a compact, low profile design, long life, and a dust-proof structure

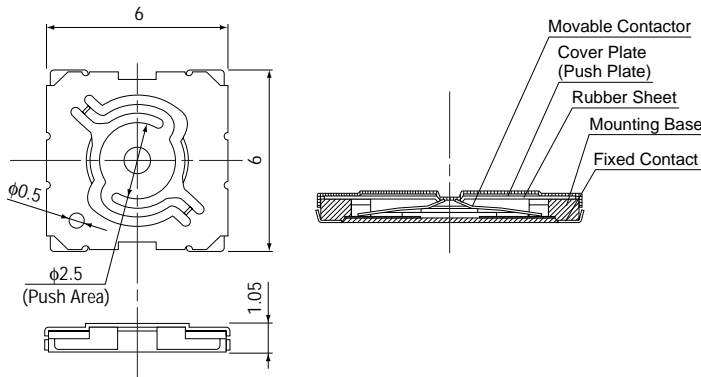
• Features:

- 1** The industry's first switch having a push plate, which improves operability
Double action operation
First stage: For operations with no tactile feel, low operation force, etc.
Second stage: For operations with little noise, small or big operation force, etc.
- 2** Dust-proof structure

* Note1 : As of August 2002

• Number of industrial property rights: 1(Pending)

• Construction:



• Characteristics/specifications:

Item	Specifications
Rating	20mA 15V dc to 10μA 2V dc
Contact Resistance	100mΩ max.
Insulation Resistance	50MΩ min. (100V dc)
Dielectric Withstanding Voltage	100V ac 1minute
Bouncing	ON : 3ms OFF : 20ms max.
Operating Force(Operating Life)	1st : 0.7N (30,000) 2nd : 2.6N (30,000)
Travel	1st : 0.4 mm 2nd : 0.6 mm
Operation Temperature	-20°C to 70°C

• Applications/usage examples:

- Auto focus shutters of digital still cameras, digital video cameras, etc.

• Explanation of part numbers:

1	2	3	4	5	6	7	8	9
E	V	Q	P	R				
Product code			Specifications			Height		