

*Using breakthrough technology,
we aim for products that will create new markets.*

New Product News

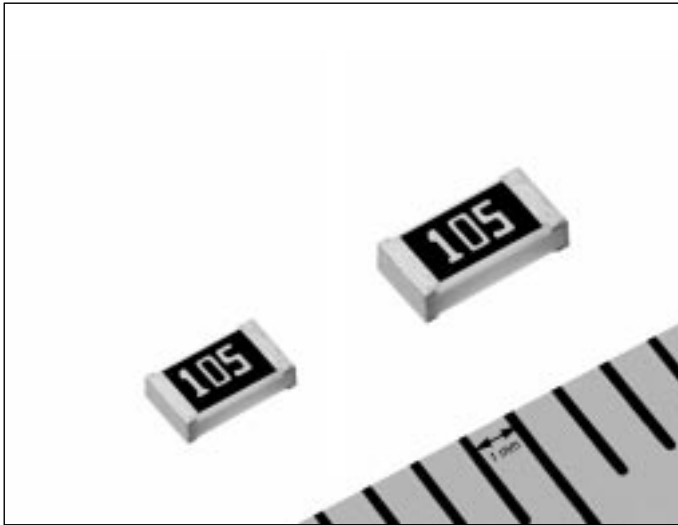
Wide range of products

Metal Film Chip Resistors

0805 Metal Film Chip Resistors
(High accuracy type) ERA6AR/6AP Series
1206 Metal Film Chip Resistors ERA8A Series

Industry/Field: Car electronics, Precision measuring instruments,
Information and communication equipment,
Power supply circuits, Industrial equipment

High accuracy and low TCR



Development Target:

ERA6AR/6AP Series : Meeting the needs of the car electronics and measuring instruments fields for higher accuracy and lower TCR

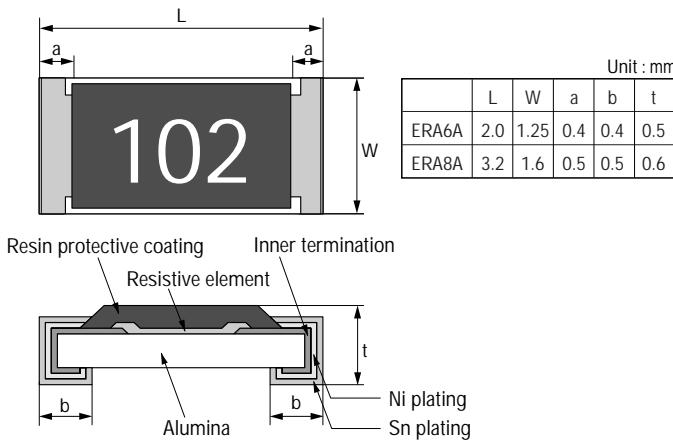
ERA8A Series : Meeting the needs of the car electronics fields for high-reliability chip resistors rated at 0.25W high power

Features:

- 1** ERA6AR/6AP (0805 size) : Low resistance tolerance ($\pm 0.05\%$) and low TCR ($\pm 10 \times 10^{-6}/^{\circ}\text{C}$) became available
- 2** ERA8A (1206 size) : The 0.25W high power rating provides high reliability
- 3** High heat resistance ($\Delta R < 0.1\%$ at 155°C , the upper limit of the category temperature range) and high humidity resistance ($\Delta R < 0.1\%$ at $85^{\circ}\text{C} / 85\% \text{ RH}$ under the rated load)

Number of industrial property rights : 4 (Pending)

Construction:



Characteristics/specifications:

Series	ERA6AR series ERA6AP series			ERA8A series		
	ERA6APB	ERA6ARB	ERA6ARW	ERA8AHD	ERA8AED	ERA8AEB
Resistance range	470Ω to 100kΩ		1kΩ to 100kΩ	10Ω to 43Ω	47Ω to 1MΩ	
Power rating	0.125 W			0.25 W		
Resistance tolerance	$\pm 0.1\%$		$\pm 0.05\%$	$\pm 0.5\%$		$\pm 0.1\%$
TCR ($\times 10^{-6}/^{\circ}\text{C}$)	± 15		± 10	± 50		± 25
Category temp. range (Operating temp. range)	-55°C to +155°C			-55°C to +155°C		

Applications/usage examples:

- Car electronics, such as fuel-efficient ECU and charging/discharging control of hybrid systems
- High-precision measuring instruments, audio equipment

Explanation of part numbers:

