

*Using breakthrough technology,
we aim for products that will create new markets.*

New Product News

Wide range of products

Multi Function Switches

8mm Square Zoom Switch

Industry/Field: Mobile communications, Optical equipment, AV

Small and thin multi-operational switch for shutter and zoom operations



• Development Target:

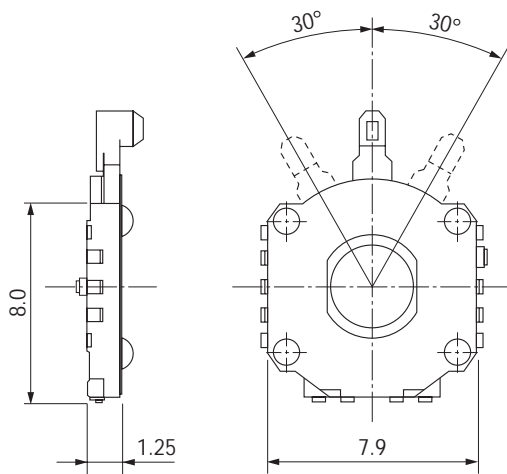
Developed a small, thin, highly reliable multi-operational switch for the shutter and zoom operations of cameras.

• Features:

- 1** Small and thin multi-operational switch
 External dimensions : W 7.9 × L 8.0 × H 1.25 mm
 Multi-operation : Double-action push operation (Auto-focus and shutter)
 : Rotational lever operation (Zoom)

- 2** Long life
 Operation life : 100,000 operations (both push and rotation operations)

• Construction :



Dimensions in mm

• Characteristics/specifications :

Section	Item	Specifications
Push switch section	Rating	10μA, 2V dc to 20 mA, 15V dc
	Operating force	1st action:0.8N 2nd action :1.6N :0.9N :2.0N :1.0N :2.6N
	Travel	1st action: 0.15 mm 2nd action: 0.3mm
	Bouncing	3ms max. (ON) 20ms max. (OFF)
Rotational lever section	Rating	10 μA 2V dc to 1 mA, 5V dc
	Rotation torque	1.5mN·m max.
Common section	Operation angle	30° right and left 1st action: ON at 8° 2nd action: ON at 20°
	Contact resistance	1Ωmax.
	Insulation resistance	50 MΩ (at 100V dc)
	Withstand voltage	100V AC for one minute
	Operating life	100,000 operations
	Operating temperature range	-20°C to +70°C
Storage temperature range	-40°C to +85°C (the switch alone)	

• Applications/usage examples :

- Auto-focus, shutter, and zoom operations of digital still cameras, digital movie cameras, and mobile phone cameras

• Explanation of part numbers :

