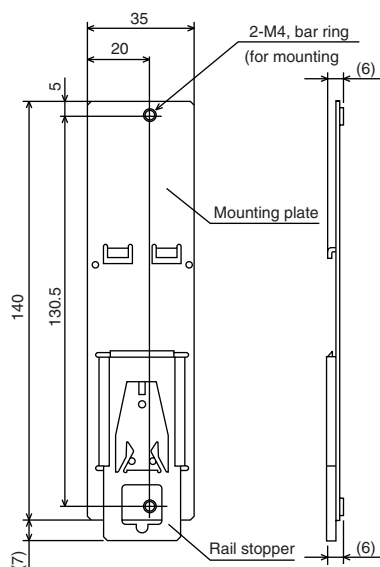


DIN rail mounting unit

[unit: mm]

1) Part No. : **DV0P3811**

2) Dimensions



<Notes>

2 mounting screws (M4 X L8, Pan head) are attached.
Rail stopper can be extended to max. 10mm.

Recommended components

Surge absorber for motor brake

Motor	Surge absorber for motor brake	
	Part No. (Manufacturer's)	Manufacturer
MUMA 50W to 400W	Z15D151	Ishizuka Electronics Co.

List of peripheral components

(Reference only)

Peripheral components	Manufacturer	Tel No./Web site
Circuit breaker, Magnetic contactor, Surge absorber	Automation Controls Company Panasonic Electric Works, Co.,Ltd	81-6-6908-1131 http://panasonic-denko.co.jp/ac
Regenerative resistor	Iwaki Musen Kenkyusho Co., Ltd.	81-44-833-4311 http://www.iwakimusen.co.jp/
Surge absorber for holding brake	Ishizuka Electronics Corp.	81-3-3621-2703 http://www.semitec.co.jp/
Noise filter for signal lines	TDK Corp.	81-3-5201-7229 http://www.tdk.co.jp/
Surge absorber / Noise filter	Okaya Electric Industries Co. Ltd.	1-3-4544-7030 http://www.okayatec.co.jp/
Connector	Sumitomo 3M	81-3-5716-7290 http://www.mmmco.jp
	Tyco Electronics AMP k.k,	81-44-844-8111 http://www.tycoelectronics.com/japan/amp
	Japan Molex Inc.	81-462-65-2313 http://www.molex.co.jp
Cable	Daiden Co., Ltd.	81-3-5805-5880 http://www.dyden.co.jp/

* The above list is for reference only. We may change the manufacturer without notice.