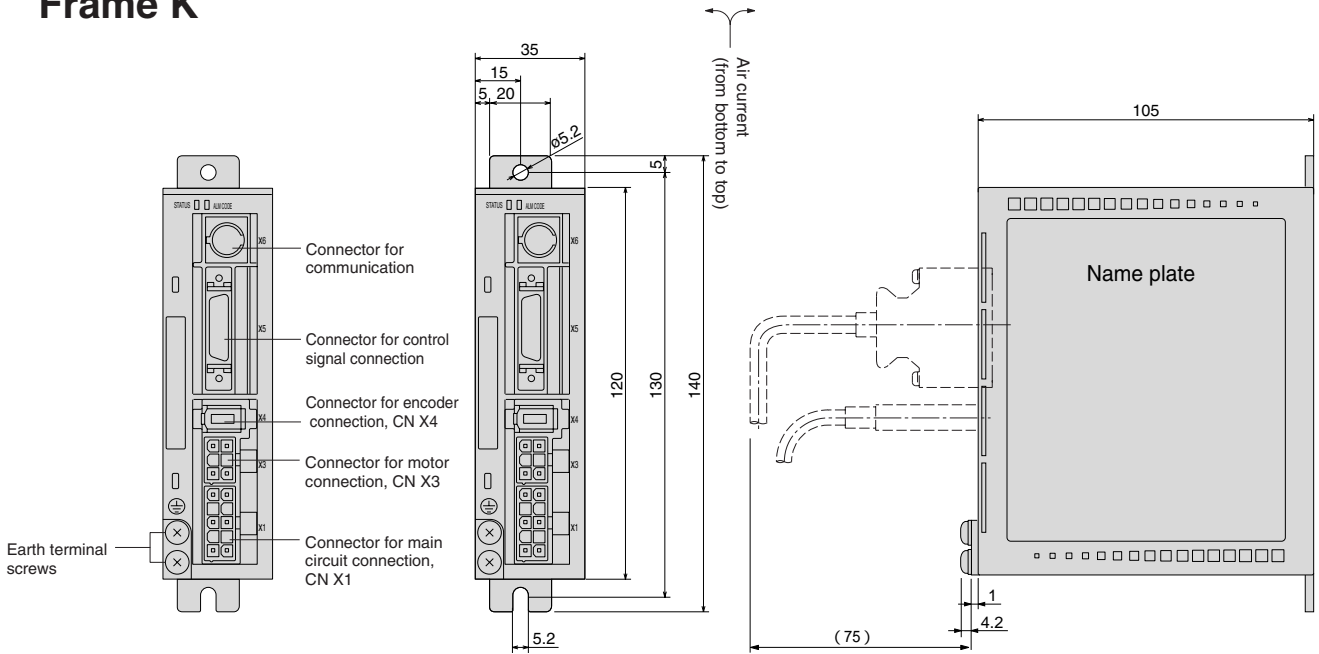


Dimensions

[unit: mm]

Frame K



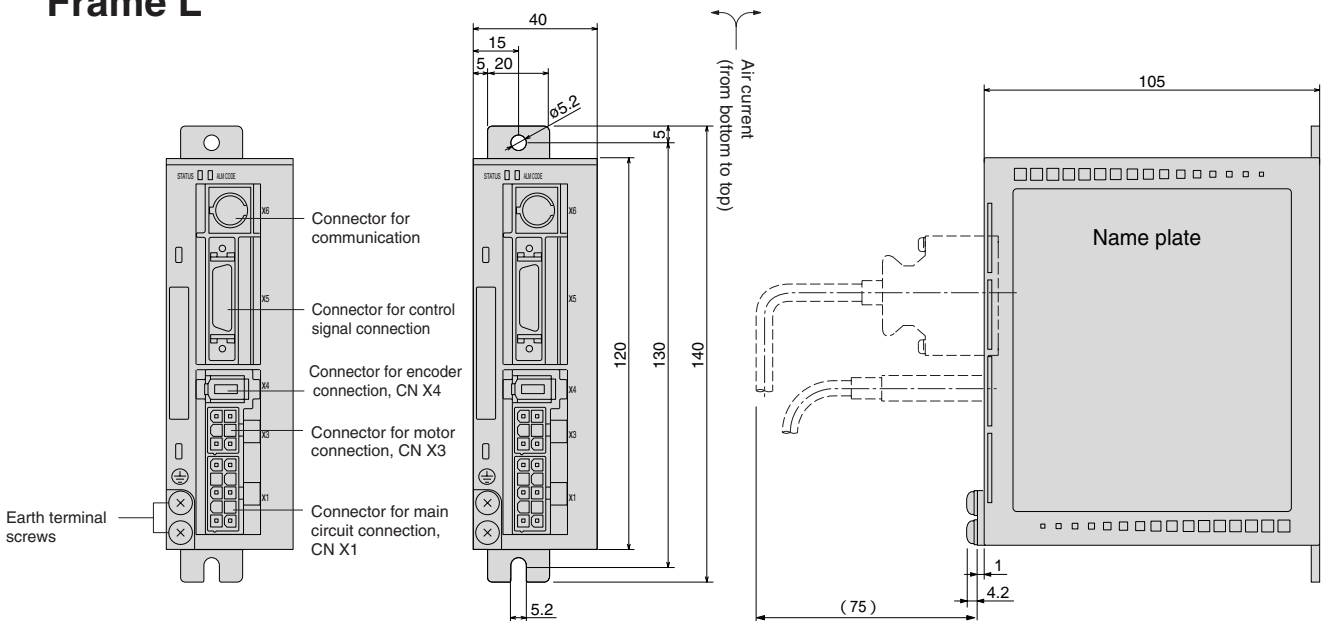
Connector(Driver side)

Connector symbol	Connector type	Manufacturer
CNX1	5569-06A2	Molex Inc.
CNX3	5569-10A2	Molex Inc.
CNX4	53460-0621	Molex Inc.
CNX5	10226-52A11L(or equivalent)	Sumitomo 3M

Mass : 0.35kg

Frame L

[unit: mm]



Connector(Driver side)

Connector symbol	Connector type	Manufacturer
CNX1	5569-06A2	Molex Inc.
CNX3	5569-10A2	Molex Inc.
CNX4	53460-0621	Molex Inc.
CNX5	10226-52A11L(or equivalent)	Sumitomo 3M

Mass : 0.40kg