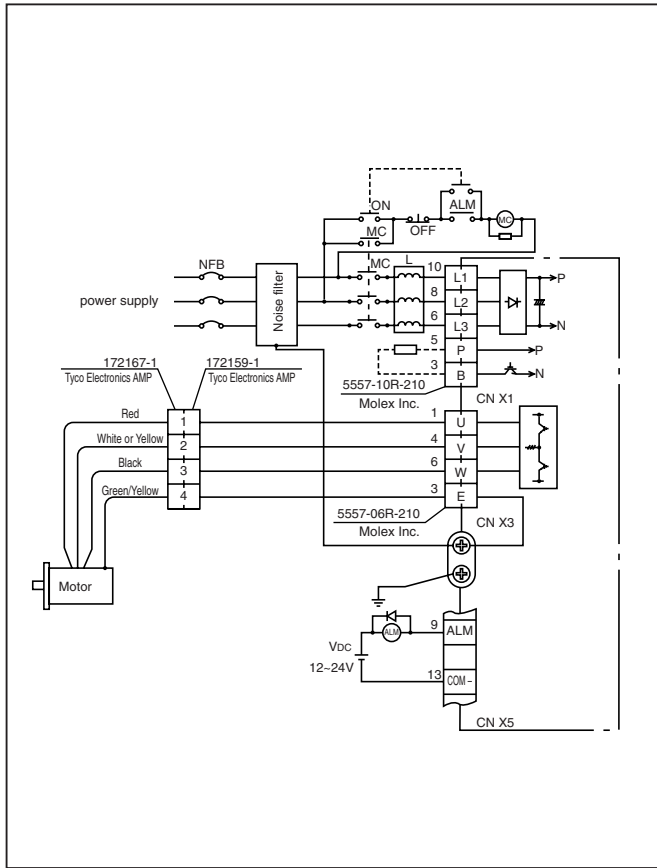
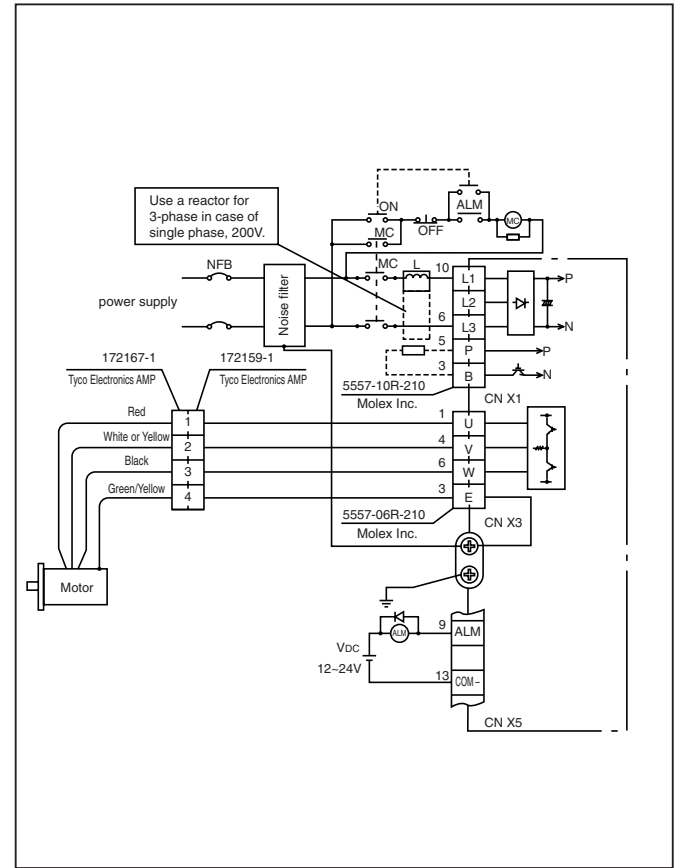


Standard Wiring Example of Main Circuit

● 3-Phase, 200V



● Single Phase, 100V / 200V



Encoder Wiring Diagram

