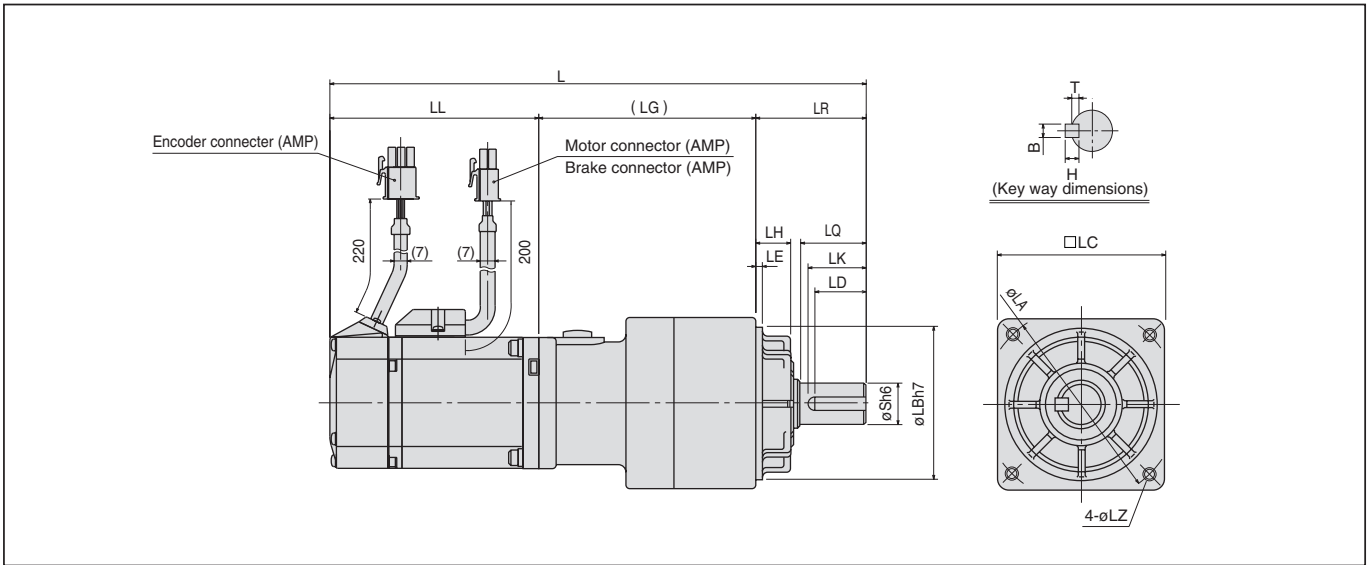


# Dimensions of Motor with Gear Reducer

## ● MSMD series with gear reducer



## ● 2500P/r encoder

## ● 17-bit encoder

[unit: mm]

Model	Motor output	Reduction ratio	L	LL	LR	LQ	LC	LB	LA	S	LH	LZ	LK	(LG)	LE	Key way BXHXL	T													
MSMD01□□□1N	100W	1 / 5	191.5	92	32	20	52	50	60	12	10	M5 (Depth : 12)	18	67.5	4 x 4 x 16	2.5														
			221.5	122																										
		1 / 9	191.5	92																										
		1 / 15	202	92																										
MSMD01□□□2N	100W	1 / 9	221.5	122	50	30	78	70	90	19	17	M6 (Depth : 20)	26	92	6 x 6 x 22	3.5														
			232	122																										
		1 / 25	234	92																										
		264	122																											
MSMD01□□□3N	100W	1 / 25	234	92	50	30	78	70	90	19	17	M6 (Depth : 20)	26	92	6 x 6 x 22	3.5														
			264	122																										
		1 / 5	183.5	79													32	20	52	50	60	12	10	M5 (Depth : 12)	18	72.5	4 x 4 x 16	2.5		
		220	115.5																											
1 / 9	218.5	79																												
1 / 15	229	79																												
MSMD02□□□2N	200W	1 / 9	255	115.5	50	30	78	70	90	19	17	M6 (Depth : 20)	26	100	6 x 6 x 22	3.5														
			265.5	115.5																										
		1 / 15	229	79																										
		1 / 25	229	79																										
MSMD02□□□3N	200W	1 / 15	265.5	115.5	50	30	78	70	90	19	17	M6 (Depth : 20)	26	100	6 x 6 x 22	3.5														
			265.5	115.5																										
		1 / 25	229	79																										
		265.5	115.5																											
MSMD04□□□1N	400W	1 / 5	238	98.5	61	40	98	90	115	24	18	M8 (Depth : 20)	35	104	5	8 x 7 x 30	4													
			274.5	135																										
		1 / 9	238	98.5																										
		1 / 15	248.5	98.5																										
MSMD04□□□2N	400W	1 / 9	274.5	135	61	40	98	90	115	24	18	M8 (Depth : 20)	35	104	5	8 x 7 x 30	4													
			285	135																										
		1 / 15	248.5	98.5																										
		1 / 25	263.5	98.5																										
MSMD04□□□3N	400W	1 / 15	285	135	61	40	98	90	115	24	18	M8 (Depth : 20)	35	104	5	8 x 7 x 30	4													
			300	135																										
		1 / 25	263.5	98.5																										
		300	135																											
MSMD04□□□4N	400W	1 / 25	263.5	98.5	61	40	98	90	115	24	18	M8 (Depth : 20)	35	104	5	8 x 7 x 30	4													
			300	135																										
		1 / 5	255.5	112														50	30	78	70	90	19	17	M6 (Depth : 20)	26	93.5	3	6 x 6 x 22	3.5
		292.5	149																											
1 / 9	270.5	112																												
1 / 15	307.5	149																												
MSMD082□□1N	750W	1 / 9	307.5	149	61	40	98	90	115	24	18	M8 (Depth : 20)	35	110	5	8 x 7 x 30	4													
			320	149																										
		1 / 15	283	112																										
		1 / 25	320	149																										
MSMD082□□2N	750W	1 / 15	320	149	61	40	98	90	115	24	18	M8 (Depth : 20)	35	110	5	8 x 7 x 30	4													
			320	149																										
		1 / 9	270.5	112																										
		1 / 15	307.5	149																										
MSMD082□□3N	750W	1 / 15	307.5	149	61	40	98	90	115	24	18	M8 (Depth : 20)	35	110	5	8 x 7 x 30	4													
			320	149																										
		1 / 9	270.5	112																										
		1 / 15	307.5	149																										
MSMD082□□4N	750W	1 / 15	307.5	149	61	40	98	90	115	24	18	M8 (Depth : 20)	35	110	5	8 x 7 x 30	4													
			320	149																										
		1 / 9	270.5	112																										
		1 / 15	307.5	149																										

Upper column : without brake   
Lower column : with brake