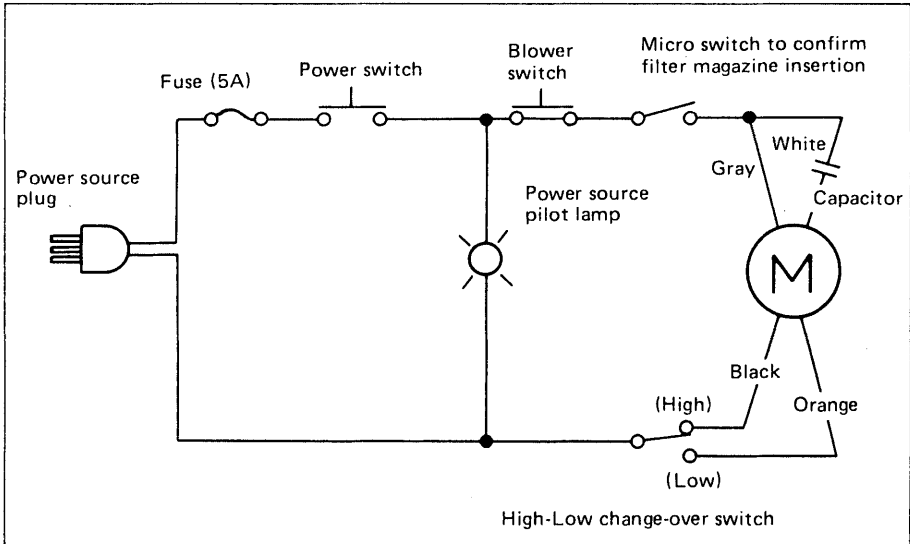


# ELECTRICAL CIRCUITS



# SPECIFICATIONS

Rated voltage	AC 230V	
Frequency	50/60 Hz	
Power consumption	At blower HIGH 110W At blower LOW 90W	
Noise	70 phon or less at 30 cm off the hood end. (A scale)	
Range of suction	Within 25 cm from filter front	
Motor type	2-pole capacitor type induction motor (2-speed)	
Removing method	Two-layer filtration type of prefilter + main filter.	
Filter used	Prefilter	Non woven cloth filter paper in roll form No. 750 (Wound length approx. 5.5 m)
	Main filter	Non woven cloth filter paper of box form
Efficiency of removal	80% min. (Measured by manufacturers)	
Dimensions	484mm(W) x 270mm(L) x 355mm(H)	
Weight	7.5 kg	