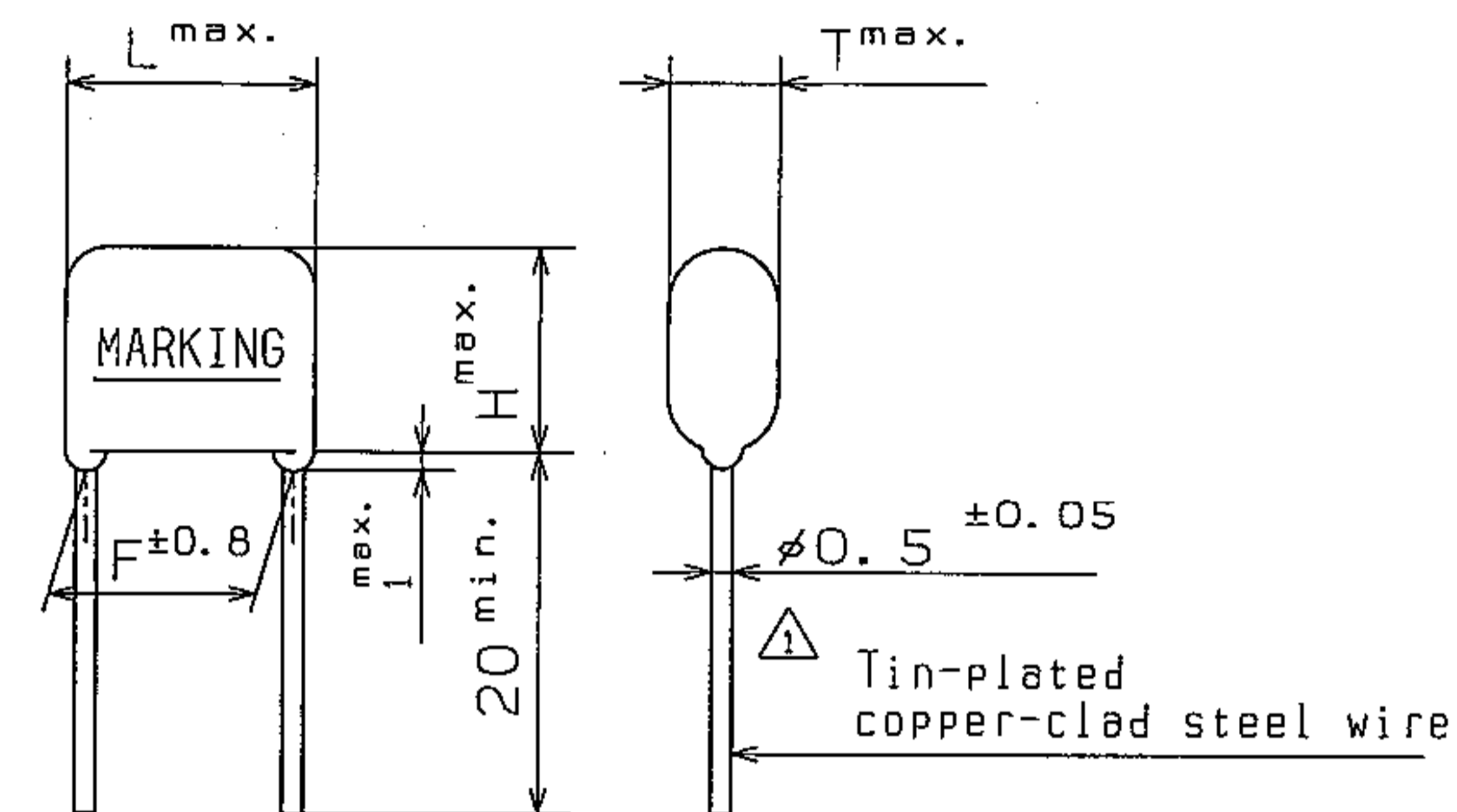
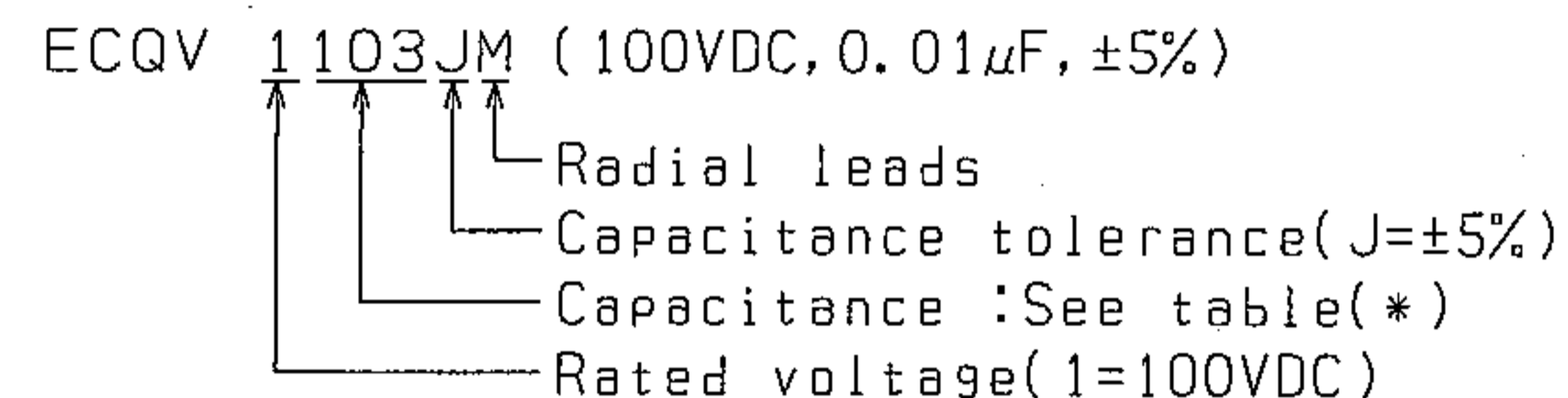


THIRD ANGLE PROJECTION

ITEM CODE	CAPACITANCE μF (*)	DIMENSIONS			
		L	T	H	F
ECQV 1103JM	0.01 (103)	7.5	3.2	7.0	5.0
" 1123JM	0.012 (123)	"	"	"	"
" 1153JM	0.015 (153)	"	"	"	"
" 1183JM	0.018 (183)	"	"	"	"
" 1223JM	0.022 (223)	"	"	"	"
" 1273JM	0.027 (273)	"	"	"	"
" 1333JM	0.033 (333)	"	"	"	"
" 1393JM	0.039 (393)	"	"	"	"
" 1473JM	0.047 (473)	"	"	"	"
" 1563JM	0.056 (563)	"	"	"	"
" 1683JM	0.068 (683)	"	4.0	"	"
" 1823JM	0.082 (823)	"	4.1	"	"
" 1104JM	0.1 (104)	"	4.5	"	"
" 1124JM	0.12 (124)	10.2	3.3	9.0	7.5
" 1154JM	0.15 (154)	"	"	"	"
" 1184JM	0.18 (184)	"	3.6	"	"
" 1224JM	0.22 (224)	"	4.0	"	"
" 1274JM	0.27 (274)	"	4.2	"	"
" 1334JM	0.33 (334)	"	4.8	10.0	"
" 1394JM	0.39 (394)	"	5.5	"	"
" 1474JM	0.47 (474)	"	6.8	10.5	"



ITEM CODE NUMBER STRUCTURE



CONSTRUCTION

The capacitor is of non-inductive construction with metallized polyester film and acrylic resin dielectric.

The capacitor is enclosed in epoxy resin and has two leads.

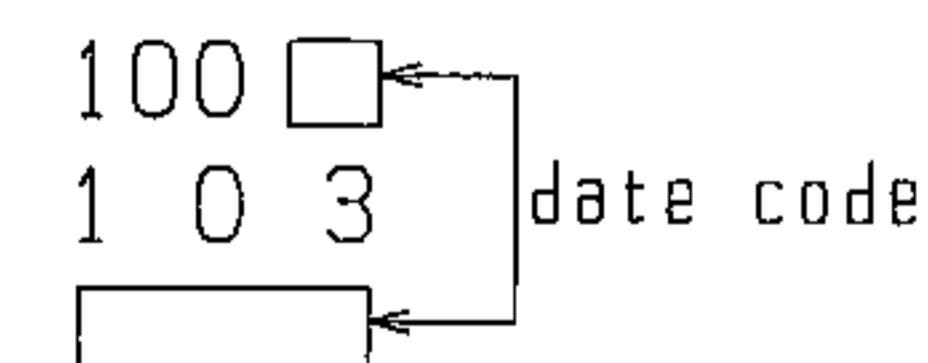
MARKING

Marking comprises capacitance, rated voltage and manufacturer's date code.

PROPERTIES

- Capacitance : See table (*) at 1kHz
- Capacitance tolerance : ±5%(J)
- Rated voltage : 100VDC
- Insulation resistance : I. R ≥ 3,000MΩ when C ≤ 0.33μF } at 100VDC, 20°C
C. R ≥ 1,000MΩ·μF when C > 0.33μF
- Withstand voltage (terminal-terminal) : Rated voltage X 150% for 60s
- ★ Dissipation factor : ≤ 1.0% at 1kHz, 20°C
- Category temperature range : From -40°C to +85°C
(Including temperature rise on unit surface)

(example)



ALTERATION		
ISSUE	DESCRIPTION	DATE
△	Modification	May. 9 2002
△	Company name changed	Oct. 28 2004
△	Company name changed	Apr. 1 2005
△	Additional Company name changed	Apr. 3 2006

SPECIFICATIONS No.

Reference

DESIGN	<i>Rosmaini</i>	Rosmaini
CHECKED	<i>Noor Azlin</i>	Noor Azlin
APPROVAL	<i>J. Kojima</i>	J. Kojima
ESTABLISHMENT	Sep. 27. 1999	
TYPE NAME	ECQV 1***JM	
NAME	STACKED METALLIZED FILM CAPACITOR	
DRAWING NAME	PRODUCT DRAWING	
DRAWING No.	CV-H-AA9B(1/1)	

Panasonic Panasonic Electronic Devices Co., Ltd.
Capacitor Business Unit.
Panasonic Electronic Devices Matsue Co., Ltd.

AA9B4.03