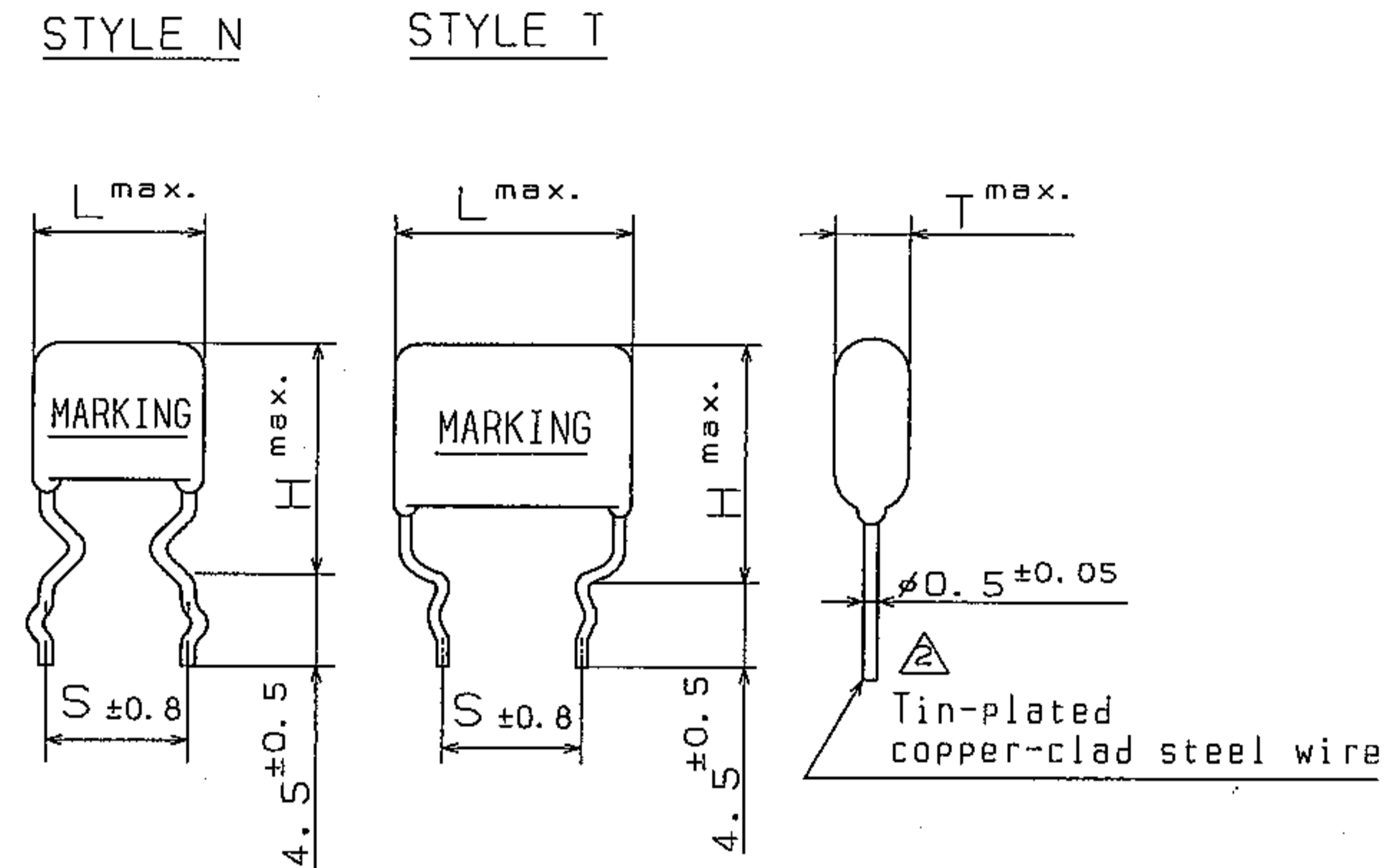
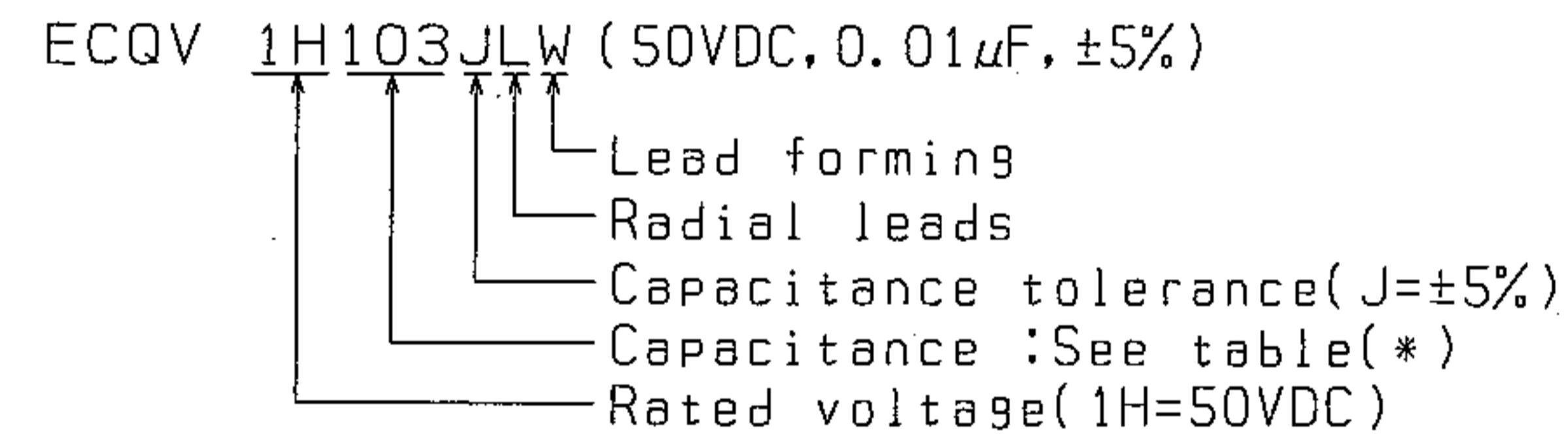


THIRD ANGLE PROJECTION

ITEM CODE	CAPACITANCE $\mu F$ (*)	DIMENSIONS				STYLE
		L	T	H	S	
ECQV 1H103JLW	0.01 (103)	7.3	3.2	9.0	5.0	N
" 1H123JLW	0.012 (123)	"	"	"	"	"
" 1H153JLW	0.015 (153)	"	"	"	"	"
" 1H183JLW	0.018 (183)	"	"	"	"	"
" 1H223JLW	0.022 (223)	"	"	"	"	"
" 1H273JLW	0.027 (273)	"	"	"	"	"
" 1H333JLW	0.033 (333)	"	"	"	"	"
" 1H393JLW	0.039 (393)	"	"	"	"	"
" 1H473JLW	0.047 (473)	"	"	"	"	"
" 1H563JLW	0.056 (563)	"	"	"	"	"
" 1H683JLW	0.068 (683)	"	"	"	"	"
" 1H823JLW	0.082 (823)	"	3.6	"	"	"
" 1H104JLW	0.1 (104)	"	4.0	"	"	"
" 1H124JLW	0.12 (124)	"	"	"	"	"
" 1H154JLW	0.15 (154)	"	4.4	9.5	"	"
" 1H184JLW	0.18 (184)	"	4.5	"	"	"
" 1H224JLW	0.22 (224)	"	4.8	"	"	"
" 1H274JLW	0.27 (274)	"	4.6	11.0	"	"
" 1H334JLW	0.33 (334)	"	5.2	"	"	"
" 1H394JLW	0.39 (394)	"	5.7	11.3	"	"
" 1H474JLW	0.47 (474)	"	6.0	"	"	"
" 1H564JLW	0.56 (564)	"	5.8	14.0	"	"
" 1H684JLW	0.68 (684)	"	6.5	"	"	"
" 1H824JLW	0.82 (824)	"	6.8	"	"	"
" 1H105JLW	1.0 (105)	"	8.0	15.0	"	"
" 1H125JLW	1.2 (125)	10.2	6.5	14.0	"	T
" 1H155JLW	1.5 (155)	"	7.2	"	"	"
" 1H185JLW	1.8 (185)	"	"	16.5	"	"
" 1H225JLW	2.2 (225)	"	7.9	"	"	"



ITEM CODE NUMBER STRUCTURE



ALTERATION

ISSUE	DESCRIPTION	DATE
△	Modification	Feb. 4 2004
△	Company name changed	Dec. 16 2004
△	Company name changed	Apr. 1 2005
△	Additional Company name changed	Apr. 1 2006

SPECIFICATIONS No.

CONSTRUCTION

The capacitor is of non-inductive construction with metallized polyester film and acrylic resin dielectric.

The capacitor is enclosed in epoxy resin and has two leads.

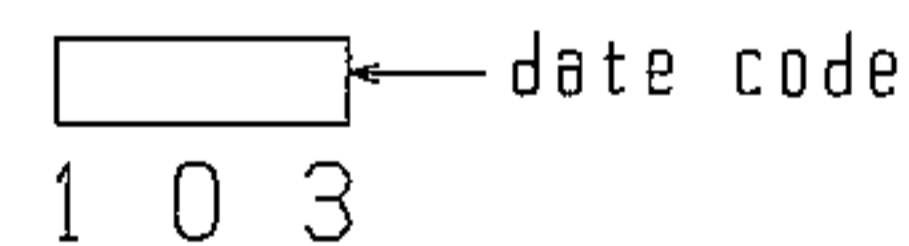
MARKING

Marking comprises capacitance and manufacturer's date code.

PROPERTIES

- Capacitance : See table (\*) at 1kHz
  - Capacitance tolerance :  $\pm 5\%$  (J)
  - Rated voltage : 50VDC
  - Insulation resistance : I.  $R \geq 3,000M\Omega$  when  $C \leq 0.33\mu F$   
C.  $R \geq 1,000M\Omega \cdot \mu F$  when  $C > 0.33\mu F$  } at 50VDC, 20°C
  - Withstand voltage (terminal-terminal) : Rated voltage  $\times 150\%$  for 60s
  - ★Dissipation factor :  $\leq 1.0\%$  at 1kHz, 20°C
  - Category temperature range : From -40°C to +85°C
- △ (including temperature rise on unit surface)

(example)



Reference

DESIGN	Rosmaini
CHECKED	Naor Azlin
APPROVAL	J. Kojima
ESTABLISHMENT	Mar. 10. 1999
TYPE NAME	ECQV 1H***JLW
NAME STACKED METALLIZED FILM CAPACITOR	
DRAWING NAME	PRODUCT DRAWING
DRAWING No.	CV-H-6132B(1/1)

Panasonic

Panasonic Electronic Devices Co., Ltd.  
Capacitor Business Unit.  
Panasonic Electronic Devices Matsue Co., Ltd.

DO NOT SCALE DRAWING

REVISIONS INDICATED BY △

ALL DIMENSIONS ARE IN MILLIMETERS