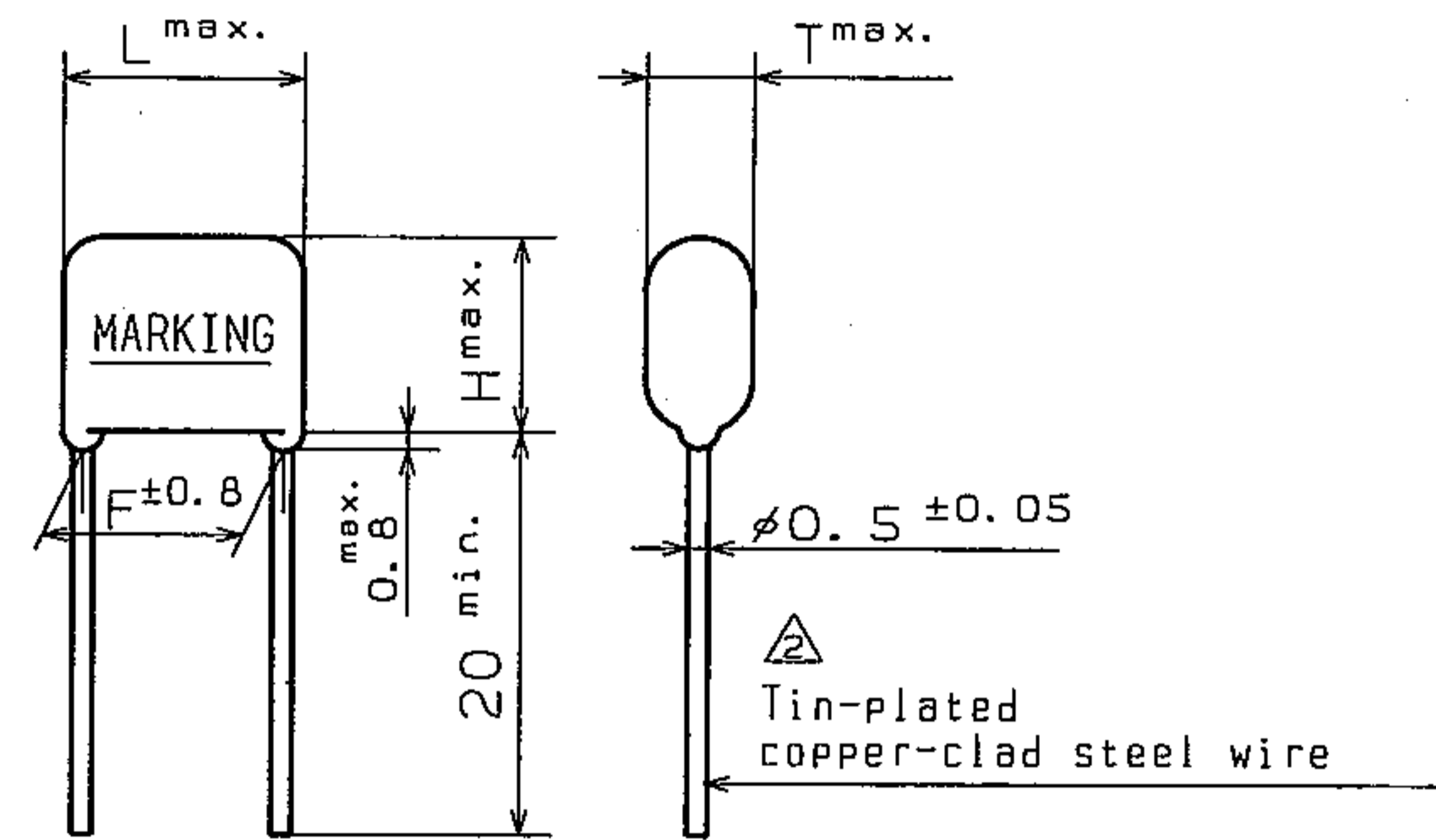
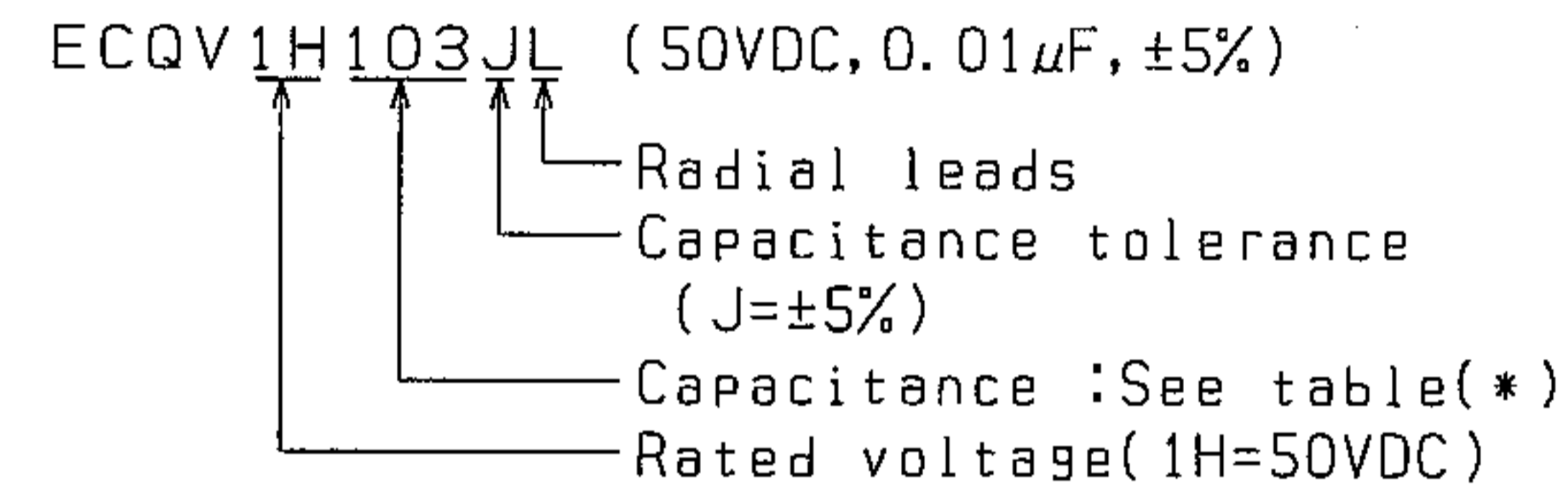


THIRD ANGLE PROJECTION

ITEM CODE	CAPACITANCE μF (*)	DIMENSIONS			
		L	T	H	F
ECQV 1H103JL	0.01 (103)	7.3	3.2	5.0	5.0
" 1H123JL	0.012 (123)	"	"	"	"
" 1H153JL	0.015 (153)	"	"	"	"
" 1H183JL	0.018 (183)	"	"	"	"
" 1H223JL	0.022 (223)	"	"	"	"
" 1H273JL	0.027 (273)	"	"	"	"
" 1H333JL	0.033 (333)	"	"	"	"
" 1H393JL	0.039 (393)	"	"	"	"
" 1H473JL	0.047 (473)	"	"	"	"
" 1H563JL	0.056 (563)	"	"	"	"
" 1H683JL	0.068 (683)	"	"	"	"
" 1H823JL	0.082 (823)	"	3.6	"	"
" 1H104JL	0.1 (104)	"	4.0	"	"
" 1H124JL	0.12 (124)	"	"	"	"
" 1H154JL	0.15 (154)	"	4.4	5.5	"
" 1H184JL	0.18 (184)	"	4.5	"	"
" 1H224JL	0.22 (224)	"	4.8	"	"
" 1H274JL	0.27 (274)	"	4.6	7.0	"
" 1H334JL	0.33 (334)	"	5.2	"	"
" 1H394JL	0.39 (394)	"	5.7	7.3	"
" 1H474JL	0.47 (474)	"	6.0	"	"
" 1H564JL	0.56 (564)	"	5.8	10.0	"
" 1H684JL	0.68 (684)	"	6.5	"	"
" 1H824JL	0.82 (824)	"	6.8	"	"
" 1H105JL	1.0 (105)	"	8.0	11.0	"
" 1H125JL	1.2 (125)	10.2	6.5	10.0	7.5
" 1H155JL	1.5 (155)	"	7.2	"	"
" 1H185JL	1.8 (185)	"	"	12.0	"
" 1H225JL	2.2 (225)	"	7.9	"	"



ITEM CODE NUMBER STRUCTURE



ALTERATION		
ISSUE	DESCRIPTION	DATE
①	Alteration: polyarylate film → acrylic resin	Feb. 10 2000
②	Modification	May. 9 2002
③	Company name changed	Oct. 27 2004
④	Company name changed	Apr. 1 2005
⑤	Company name changed	Apr. 1 2006

SPECIFICATIONS No.

CONSTRUCTION

The capacitor is of non-inductive construction with metallized polyester film and acrylic resin dielectric.

The capacitor is enclosed in epoxy resin and has two leads.

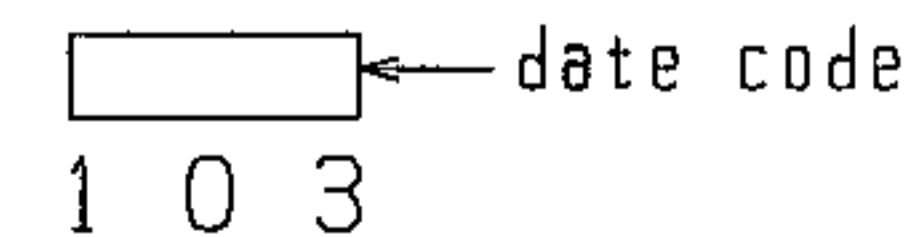
MARKING

Marking comprises capacitance and manufacturer's date code.

PROPERTIES

- Capacitance : See table (*) at 1kHz
- Capacitance tolerance : $\pm 5\%$ (J)
- Rated voltage : 50VDC
- Insulation resistance : I. $R \geq 3,000\text{M}\Omega$ when $C \leq 0.33\mu\text{F}$
C. $R \geq 1,000\text{M}\Omega \cdot \mu\text{F}$ when $C > 0.33\mu\text{F}$ } at 50VDC, 20°C
- Withstand voltage (terminal-terminal) : Rated voltage X 150% for 60s
- ★Dissipation factor : $\leq 1.0\%$ at 1kHz, 20°C
- Category temperature range : From -40°C to +85°C
(Including temperature rise on unit surface)

(example)



Reference

DESIGN	<i>Y. Sasaki</i>
CHECKED	<i>M. Nishikawa</i>
APPROVAL	<i>M. Nagasaka</i>
ESTABLISHMENT	Mar. 10, 1999
TYPE NAME	ECQV 1H***JL
NAME	STACKED METALLIZED FILM CAPACITOR
DRAWING NAME	PRODUCT DRAWING
DRAWING No.	CV-H-6131B(1/1)

Panasonic Electronic Devices Co., Ltd.
Capacitor Business Unit.
Panasonic Electronic Devices Matsue Co., Ltd.