

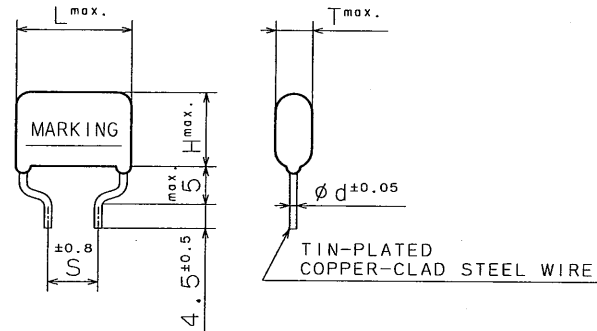
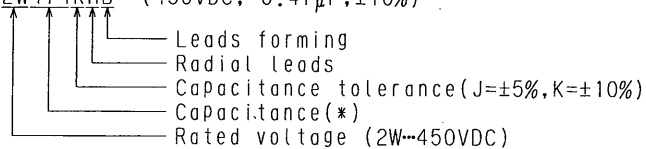
THIRD ANGLE PROJECTION

ITEM CODE	RATED VOLTAGE	CAP. $\mu$ F ( * )	DIMENSIONS					MARKING STYLE
			L	T	H	S	d	
ECQE2W104()HB	450VDC	0.1 (104)	12.7	4.2	10.9	5.0	0.6	1
// 2W154()HB	//	0.15 (154)	//	4.9	11.6	//	//	//
// 2W224()HB	//	0.22 (224)	//	5.8	12.5	//	//	//
// 2W334()HB	//	0.33 (334)	//	6.5	14.7	//	//	//
// 2W474()HB	//	0.47 (474)	//	7.7	16.0	//	//	//
// 2W684()HB	//	0.68 (684)	18.2	6.9	15.3	10.0	0.8	2
// 2W105()HB	//	1.0 (105)	//	8.5	16.9	//	//	//
// 2W155()HB	//	1.5 (155)	25.7	8.2	16.2	15.0	//	//
// 2W225()HB	//	2.2 (225)	//	9.4	19.7	//	//	//

TOL. SYMBOL (J or K)

ITEM CODE NUMBER STRUCTURE

ECQE 2W474KHB (450VDC, 0.47 $\mu$ F,  $\pm$ 10%)



ALTERATION		
ISSUE	DESCRIPTION	DATE

SPECIFICATIONS No.

CONSTRUCTION

The capacitor is of non-inductive construction, wound with metallized polyester film dielectric.  
The capacitor is enclosed in non-combustible epoxy resin and has two leads.

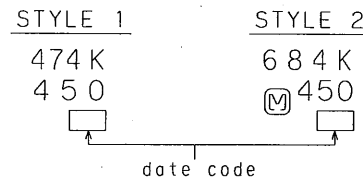
MARKING

Marking comprises capacitance, capacitance tolerance, rated voltage, manufacturer's trademark (STYLE 2 only) and date code.

PROPERTIES

- \*Capacitance: See table at 1kHz.
- \*Capacitance tolerance:  $\pm$ 5%(J),  $\pm$ 10%(K) at 1kHz.
- \*Rated voltage: 450VDC  
(Derating of rated voltage by 1.25%/°C at more than 85°C)
- \*Withstand voltage (terminal-terminal): 450VDC  $\times$  150% for 60s
- \*Insulation resistance:  $\geq$ 9000M $\Omega$  ( $C \leq 0.33\mu$ F) at 100VDC, 20°C for 60s  
 $\geq$ 3000M $\Omega \cdot \mu$ F ( $C > 0.33\mu$ F) at 100VDC, 20°C for 60s
- \*Dissipation factor:  $\leq$ 1.0% at 1kHz, 20°C
- \*Category temperature range: From -40°C to +105°C (including temperature rise on unit surface)

MARKING EXAMPLE



Reference

ECQE(H)

DESIGN	M. Moriyama
CHECKED	M. Kashio
APPROVAL	M. Nagaoaka
ESTABLISHMENT	Jul. 28, 2008
TYPE NAME	
ECQE2W***()HB	
NAME Metallized Polyester Film Capacitor	
DRAWING NAME	
PRODUCT DRAWING	
DRAWING No.	
7011M-J-E(1/1)	

Panasonic Electronic Devices Japan Co., Ltd.  
Film Capacitor Division